

RISH DPM 96 ADC - B



Operating Manual

The **RISH DPM 96 ADC - B** is a Digital Panel Meter (DPM) in 96 x 96 DIN quadratic size for measurement of DC current.

You can program the input current range on site either as 0 ... 20 mA DC or 4 ... 20 mA DC.

Three ranges for power supply are available.

Operation:

By changing short links on the front side of display (accessible after removing Front Glass & Black Frame) decimal point can be adjusted as shown in sticker on page 2.

The full scale value on the display can be adjusted on site with potentiometer (S) at the back side of the instrument from 10% to 100% of FSD (FSD=1999). Similarly it is possible to adjust the live zero (in case of 4 - 20 mA) with the help of potentiometer (Z) at the backside.

Further **RISH DPM 96 VDC** version from the series :

RISH DPM 96 VDC Instrument for DC voltage measurement.

Technical data

Display	Display range	1999	
	Decimal point position	Selectable by display jumper position	
	Negative display indication	“-“	
	Digit height	14 mm / 7- segment digits. (optional 20 mm)	
	Overload indication	Last 3 digits blank	
Measuring ranges (Max. Overload 20% of full-scale value)	Accuracy	< 0.1% + 1 digit	
	Current DC (Voltage drop < 600 mV)	0 ... 20 mA or 4 ... 20 mA (on site programmable)	
	Temperature coefficient	300 ppm / °C, plus	
	Zero point drift	200 ppm / °C	
	Range adjustment span	From 10% to 100% of range	
Power Supply	Direct voltage DC	12 +/- 10% max. 5.5 W 24 +/- 10% max. 5.5 W 48 +/- 10% max. 5.5 W 110 +/- 10% max. 5.5 W	
	Alternating voltage (47 - 60 Hz)	110 V + 10%, -15% max. 5.5 W 230 V + 10%, -15% max. 5.5 W	
	Environmental conditions	Climatic class	Class 2 to VDE / DIN 3540
		Operating temperature	0 ... 55 °C
		Storage temperature	-25 °C ... +70 °C
Safety class		II to IEC 348 / VDE 0411	
IP protection		IEC EN 60 529 For Back : IP 20 For Front : IP 50 (IP 54 on request)	
Dimensions and weights	Device safety	According to IEC EN 61 010	
	EMC immunity	According to IEC / EN 61 000-4-1 to 4	
	EMC radiated interference	According to IEC / EN 61326 Class B	
	Front bezel size	96 mm x 96 mm (DIN 43 700)	
	Panel cut-out	92 +0.8 mm x 92 +0.8 mm	
Overall depth	55 mm		
Weight	300 gm. approx.		
Sundry	Connections	Plug-in screw terminal blocks	

SAMPLE STICKERS

RISH DPM 96 ADC		Sr. No. / /	
Full scale : 1999			
Aux. supply	A B	N L	230V AC 50 Hz (+10%/-15%)
Input	1	LO	COMMON
	2	HI	0...20 mA DC
	3	HI	4...20 mA DC
	4	NC	
	5	HI	Short 5 & 6 only for 4...20mA DC
	6	LO	
	7	NC	
	8	NC	

Z - Zero Adj.
 S - Span Adj.

Front Display View
 Select short link position for decimal point adjustment

Measuring input

DC current input

Selection of Input Current Range

- 1) 0 ... 20mA - Terminals 1 and 2 and no jumper between terminals 5 & 6.
- 2) 4 ... 20mA - Terminals 1 and 3 plus put jumper between terminals 5 & 6.

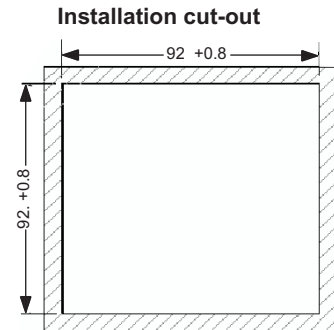
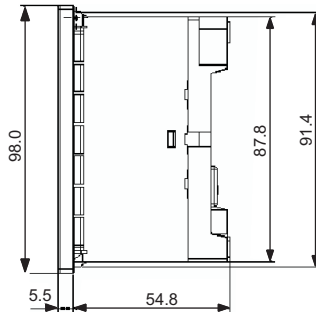
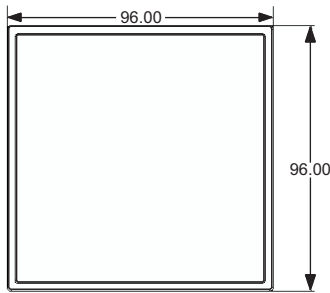
Auxiliary supply

Terminals A (-/N) and B (+/L).

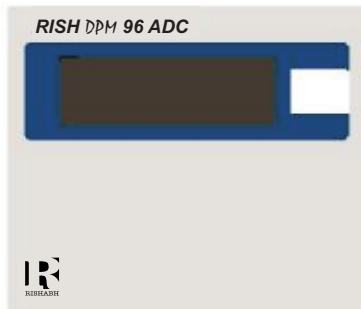
Display adjust (with external calibrator)
Decimal point adjustment

With zero (Z) and span (S) pots at rear of the meter.
With short links at front side of display.

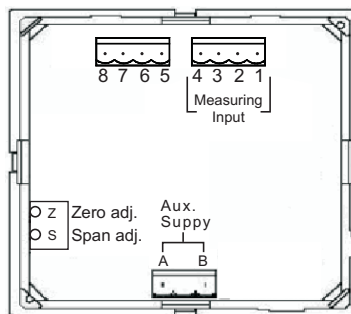
Design and Installation



DISPLAY OF 96 ADC :



CONNECTION DIAGRAM :



Decimal point adjustment :

Decimal point position is selectable by short links at the front side of display (accessible after removing front glass and black frame)

Short Link Position	Decimal Point Position on Display
	XXXX
	X.XXX
	XX.XX
	XXX.X



Caution : Do not change the short links on display (for decimal point adjustment) when input is applied to the Digital Panel Meter!