

# P17G PASSIVE SEPARATOR

## FEATURES:



- For the separation of measuring signals (eg in PLC).
- Thin casing - 6.2 mm.
- Standard d.c. current output signal 0/4 - 20 mA.
- Does not require an auxiliary supply voltage.

## INPUT:

0/4..20  
mA

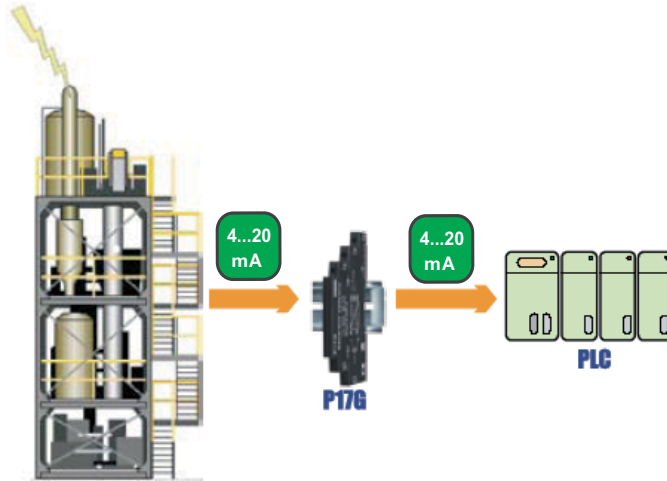
## OUTPUTS:

0/4..20  
mA

## GALVANIC ISOLATION:



## EXAMPLE OF APPLICATION



**Galvanic separation (protection of PLC controller inputs).**

## INPUTS

Input type	Range	Overload	Error
Current 0..20 mA	0 .. 20 mA	Maximal input current 40 mA	<b>Conversion error:</b> +/- 0.2 %  <b>Additional errors:</b> - from load resistance changes ≤ 0.15 %/ 100 Ω - from ambient temperature changes: ≤ 0.05 %/ 10°C
	4 .. 20 mV		

## OUTPUTS

Output type	Admissible load resistance	Pulsations
Current 0 .. 20 mA, (4..20 mA)	$R_{load} < 500 \Omega$	≤ 10 mV

## EXTERNAL FEATURES

Overall dimensions	6.2 x 77.5 x 100 mm	
Weight	80 g	
Protection grade	ensured by the casing: IP50	from terminal side: IP20
Fixing	on a 35 mm DIN rail	acc. to EN 60715

## RATED OPERATING CONDITIONS

Temperature	ambient: -20...23...65°C	storage: -40...85°C
Humidity	< 95%	inadmissible condensation
Operating position	any	

## Contact Details:

Rishabh Instruments Pvt Ltd  
F-31, MIDC, Satpur  
Nashik-422007  
INDIA

Phone: +91 253 2202028

exp.marketing@rishabh.co.in  
marketing@rishabh.co.in

www.rishabh.co.in

## SAFETY AND COMPATIBILITY REQUIREMENTS

Electromagnetic compatibility	noise immunity	acc. to EN 61000-6-2
	noise emissions	acc. to EN 61000-6-4
Isolation between circuits	basic	acc. to EN 61010-1
Pollution level	2	
Installation category	III	
Maximal phase-to-earth operating voltage	50 V	

## INSTALLATION

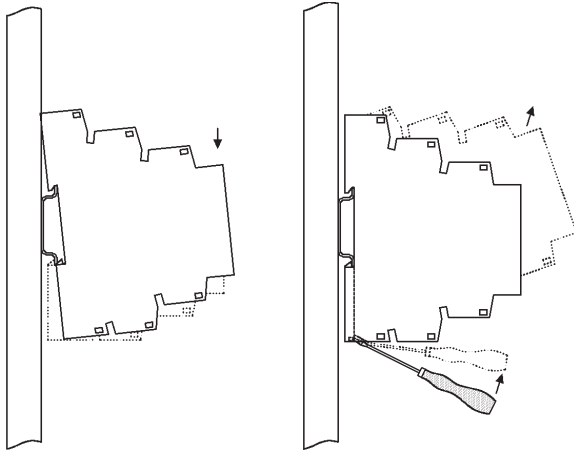


Fig.1. Way of assembling/disassembling on the rail.

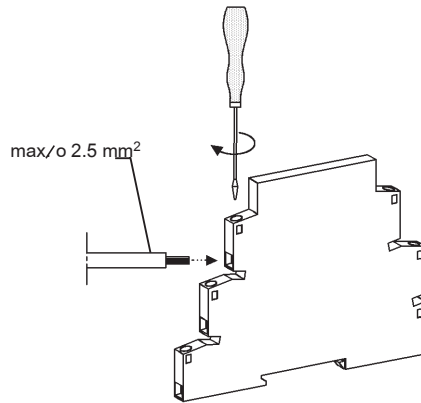
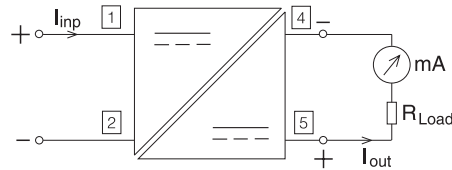


Fig.2. Way of wire fixing.

## CONNECTION DIAGRAM



## ORDERING

	P17G	XX	X
<b>Version:</b>			
standard		00	
as per order*		XX	
<b>Acceptance tests:</b>			
without extra quality requirements			8
with an extra quality inspection certificate			7
acc. to customer's request*			X

\* - after agreeing with the manufacturer

### ORDER EXAMPLE

The code: **P17G-00-8** means:  
**P17G** - passive separator of P17G type,  
**00** - standard version,  
**8** - without extra quality requirements.

SEE ALSO:



Programmable separator P20G.

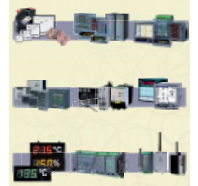


Programmable temperature, resistance, voltage from shunt and standard signals-P20.



2-channel module of analog inputs - SM1.

### OUR OFFER



[www.rishabh.co.in](http://www.rishabh.co.in)

For more information about RISHABH products please visit our website:  
[www.rishabh.co.in](http://www.rishabh.co.in)

### Contact Details:

Rishabh Instruments Pvt Ltd  
 F-31, MIDC, Satpur  
 Nashik-422007  
 INDIA

Phone: +91 253 2202028

[exp.marketing@rishabh.co.in](mailto:exp.marketing@rishabh.co.in)  
[marketing@rishabh.co.in](mailto:marketing@rishabh.co.in)

[www.rishabh.co.in](http://www.rishabh.co.in)