

RE22 CONTROLLER



FEATURES:

- Password protection
- PID algorithm
- on/off algorithm
- Auto-tuning
- IP65
- Soft Start
- Auto

INPUTS:

- 0..10 V
- 0..20 mA

OUTPUTS:

- SSR output

GALVANIC ISOLATION:

- Supply
- RS 485

Contact Details:

Rishabh Instruments Pvt Ltd
F-31, MIDC, Satpur
Nashik-422007
INDIA

Phone: +91 253 2202028

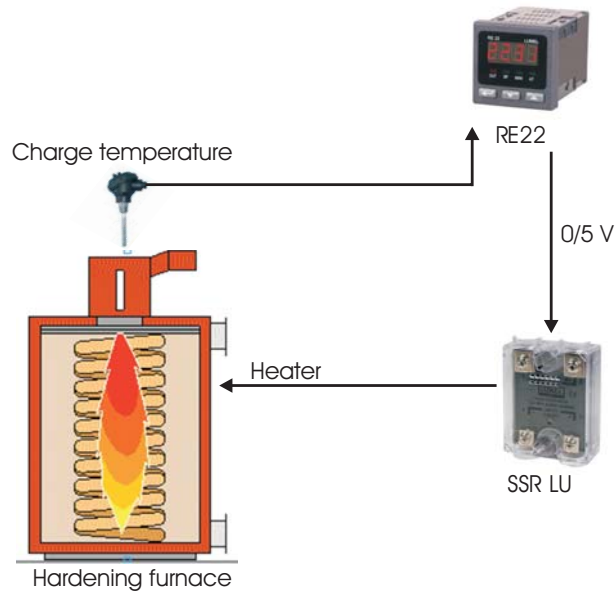
exp.marketing@rishabh.co.in
marketing@rishabh.co.in

www.rishabh.co.in



- Universal input for RTD and TC sensors or standard signals from transducers.
- Relay output or binary 0/5 V for relay of SSR type.
- Control of on/off type or PID with auto-tuning.
- „Soft-start” function.
- Manual operating option.

EXAMPLE OF APPLICATION



Temperature control in a hardening furnace.

INPUT

Input type	Designation	Range	Error
Pt100	Pt100	-199 .. 850°C	0.2%
Pt1000	Pt1000	-199 .. 850°C	0.2%
Fe-CuNi	J	-100 .. 1200°C	0.3%
Cu-CuNi	T	-100 .. 400°C	0.3%
NiCr-NiAl	K	-100 .. 1372°C	0.3%
PtRh10-Pt	S	0 .. 1767°C	0.5%
PtRh13-Pt	R	0 .. 1767°C	0.5%
PtRh30-PtRh6	B	0 .. 1820°C	0.5%
NiCr-CuNi	E	-100 .. 999°C	0.3%
NiCrSi-NiSi	N	-100 .. 1300°C	0.3%
NiCr-CuNi (GOST)	L	-100 .. 800°C	0.3%
Current channels	I	0(4) .. 20 mA	0.2% +/- 1 digit
Voltage channels	U	0(5) .. 10 V	0.2% +/- 1 digit

OUTPUT

Output type	Properties	Remarks
Relay output	voltageless NO contacts, load capacity 5 A, 250 V a.c.	
Voltageless binary output	load capacity 5 V	resistance limiting the current: 66 Ω

EXTERNAL FEATURES

Readout field	LED	10 mm, 4 digits
Overall dimensions	48 × 48 × 93 mm	
Weight	0.25 kg	
Protection grade	from frontal side: IP65	from terminal side: IP20

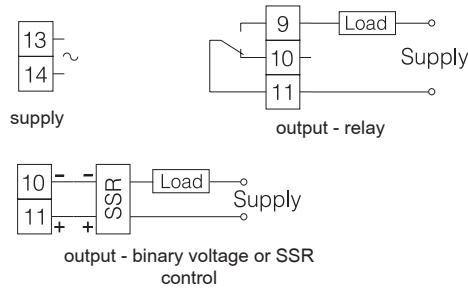
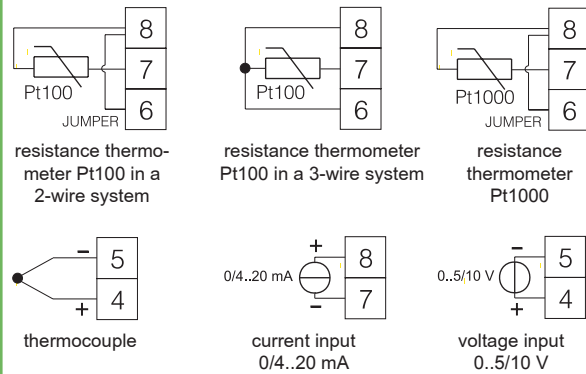
RATED OPERATING CONDITIONS

Supply voltage	230; 110; 24 V a.c. +/- 10%	frequency: 50 .. 60 Hz
Temperature	ambient: 0...23...50°C	storage: -20...70°C
Humidity	< 85% without condensation	
Operating position	any	
External magnetic field	< 400 A/m	

SAFETY AND COMPATIBILITY REQUIREMENTS

Electromagnetic compatibility	noise immunity	acc. to EN 61000-6-2
	noise emissions	acc. to EN 61000-6-4
Pollution level	2	
Installation category	III	
Maximal phase-to-earth operating voltage	for supply circuit, outputs: 300 V	for input circuits: 50 V

CONNECTION DIAGRAMS



ORDERING

RE22 -	X	X	X	XX	X
Input:					
universal for RTD and TC sensors	1				
universal linear:					
- current: 0/4..20 mA	2				
- voltage: 0..5/10V					
as per order	X				
Output:					
relay		1			
binary 0/5 V for SSR control		2			
as per order		X			
Supply:					
230 V 50/60 Hz			1		
110 V 50/60 Hz			2		
24 V 50/60 Hz			3		
as per order			X		
Version:					
standard				00	
custom-made*				XX	
Additional quality requirements:					
without additional quality requirements					8
with an extra inspection quality certificate					7
acc. to customer's request*					X

Order example:
 The code: **RE22 - 2 1 3 00 8** means:
RE22 - controller of RE22 type
2 - universal linear input
1 - relay input
3 - supply: 24 V 50/60 Hz
00 - standard version
8 - without additional quality requirements.

* the ordering code will be established by the manufacturer

SEE ALSO



SSR relay, LU series.



RP power controller.



Temperature sensors.

our offer



www.rishabh.co.in

For more information about RISHABH products please visit our website: www.rishabh.co.in

Contact Details:

Rishabh Instruments Pvt Ltd
 F-31, MIDC, Satpur
 Nashik-422007
 INDIA

Phone: +91 253 2202028

exp.marketing@rishabh.co.in
 marketing@rishabh.co.in

www.rishabh.co.in