

SM5 MODULE OF LOGIC INPUTS

FEATURES:

MOD BUS

Program LPConfig



- Adjoined information about the operating machine state to monitoring systems and PLC
- 8 relay logic inputs read out through RS-485/Modbus
- Fixing on a TS35 rail
- Signaling of input states on LED diodes
- Configuration through the free LPConfig software.

INPUTS:



OUTPUTS:

RS 485

GALVANIC ISOLATION:

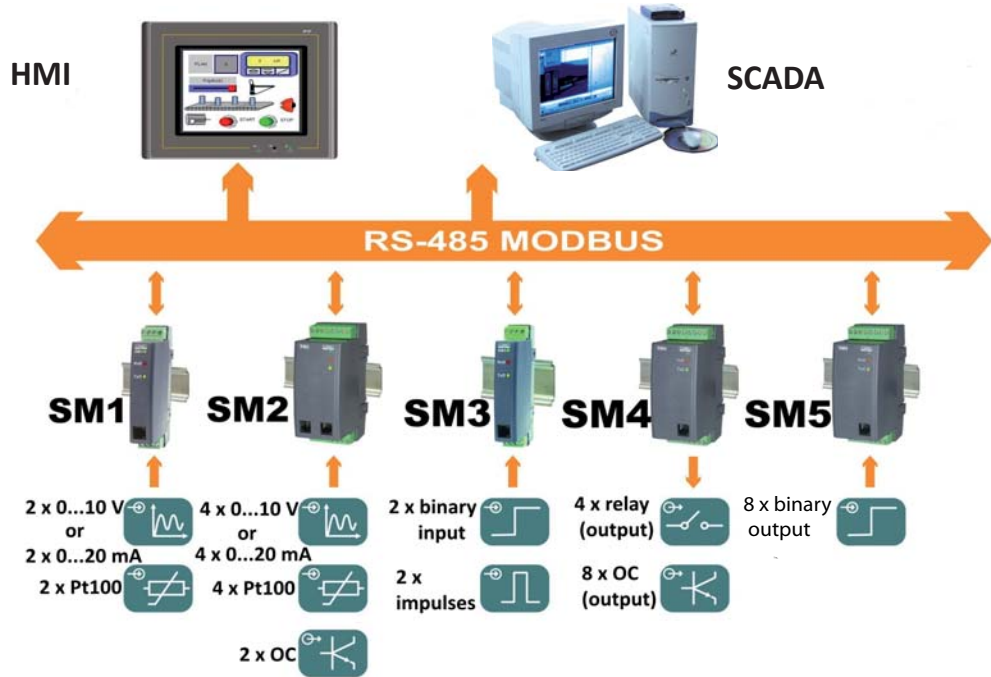


RS 232



RS 485

EXAMPLE OF APPLICATION



EXTERNAL FEATURES

| | | |
|--------------------|-------------------|--------------------------|
| Overall dimensions | 45 x 120 x 100 mm | |
| Weight | < 0.25 kg | |
| Protection grade | IP40 | from terminal side: IP20 |

DIGITAL INTERFACE

| Interface type | Transmission protocol | Modes | Baud rate |
|----------------|-----------------------|-----------------|-----------------------------|
| RS-485 | Modbus RTU | 8N2,8E1,8O1,8N1 | 2400; 4800; 9600; 19.2 k; |
| | Modbus ASCII | 8N1, 7E1, 7O1 | 38.4 k, 57.6 k, 115 k bit/s |

INPUTS

| | | |
|-------------|---|--|
| Output type | Range | |
| Logic | 0 logic - open input; 1 logic - shorted input | |

OUTPUTS

| | | |
|-------------------|------------|------------------|
| Output type | Properties | Remarks |
| Digital interface | RS - 485 | Modbus ASCII/RTU |

RATED OPERATING CONDITIONS

| | | |
|-------------------------|--|---------------------|
| Supply voltage | 85...253 V a.c./d.c. (40...400 Hz) or d.c. 20...50 V a.c./d.c. (40...400 Hz) or d.c. | Input power: ≤ 4 VA |
| Temperature | ambient: -10...23...55°C | |
| Relative humidity | < 95% | |
| Operating position | on a TS35 rail | |
| External magnetic field | < 400 A/m | |

Contact Details:

Rishabh Instruments Pvt Ltd
F-31, MIDC, Satpur
Nashik-422007
INDIA

Phone: +91 253 2202028

exp.marketing@rishabh.co.in
marketing@rishabh.co.in

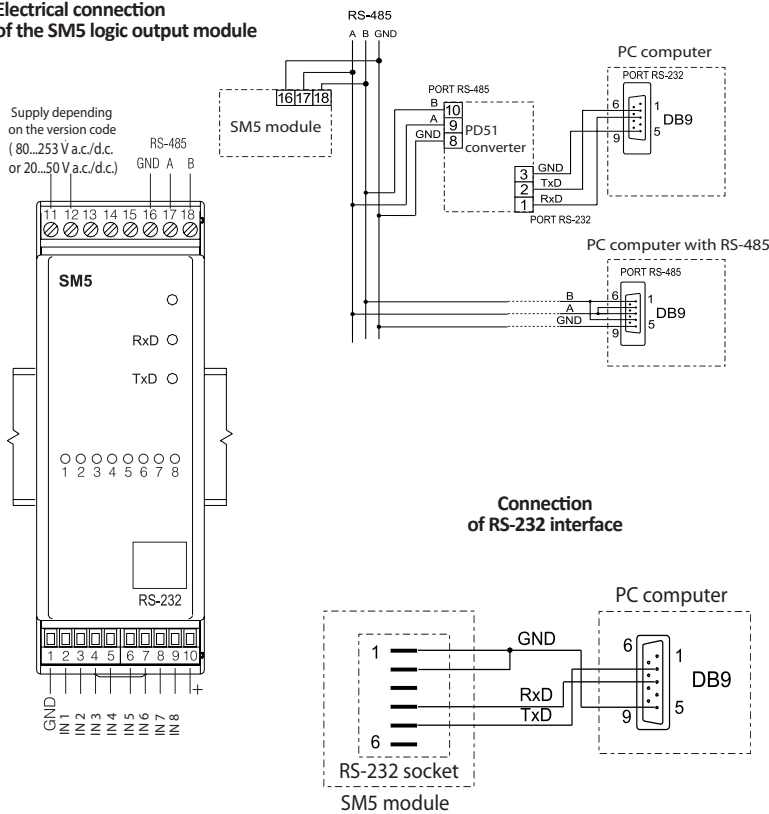
www.rishabh.co.in

SAFETY AND COMPABILITY REQUIREMENTS

| | | |
|--|--|----------------------|
| Electromagnetic compatibility | Noise immunity | acc. to EN 61000-6-2 |
| | Noise emissions | acc. to EN 61000-6-4 |
| Isolation between circuits | | acc. to EN 61010-1 |
| Pollution level | 2 | |
| Installation category | III | |
| Maximum phase-to-earth operating voltage | Supply: 300 V, input 50 V, Output: 50 V | |
| Altitude a.s.l. | 2000 m | |

CONNECTION DIAGRAMS

Electrical connection of the SM5 logic output module



Description of logic input module leads.

| Terminal No | Terminal description |
|-------------|---|
| 1 | GND line of logic inputs |
| 2 | IN 1 line - input no 1 |
| 3 | IN 2 line - input no 2 |
| 4 | IN 3 line - input no 3 |
| 5 | IN 4 line - input no 4 |
| 6 | IN 5 line - input no 5 |
| 7 | IN 6 line - input no 6 |
| 8 | IN 7 line - input no 7 |
| 9 | IN 8 line - input no 8 |
| 10 | Line 5 V d.c. |
| 11,12 | Lines of module supply |
| 13...15 | Not used |
| 16 | GND RS-485 line with optoisolation |
| 17 | Line A of RS-485 interface with optoisolation |
| 18 | Line B of RS-485 interface with optoisolation |

SEE ALSO:



Free LPConfig software



MT058 panel



SMC - Programmable controller



For more information about RISHABH products please visit our website: www.rishabh.co.in

ORDERING

| | | | |
|--|---|----|---|
| Module of logic outputs - SM5 | X | XX | X |
| Supply: | | | |
| 85...253 V a.c./d.c. | 1 | | |
| 20...50 V a.c./d.c. | 2 | | |
| Version: | | | |
| standard | | 00 | |
| Acceptance tests: | | | |
| without additional quality inspection requirements | | | 8 |
| with an extra quality inspection certificate | | | 7 |
| acc.to customers request * | | | X |

* after agreeing with the manufacturer

Ordering example:

The code **SM5 - 1 00 7** means:

- SM5** - module of SM5 type
- 1** - supply voltage: 85...253 V a.c./d.c.
- 00** - standard version
- 7** - with an extra quality inspection certificate

Contact Details:

Rishabh Instruments Pvt Ltd
F-31, MIDC, Satpur
Nashik-422007
INDIA

Phone: +91 253 2202028

exp.marketing@rishabh.co.in
marketing@rishabh.co.in

www.rishabh.co.in