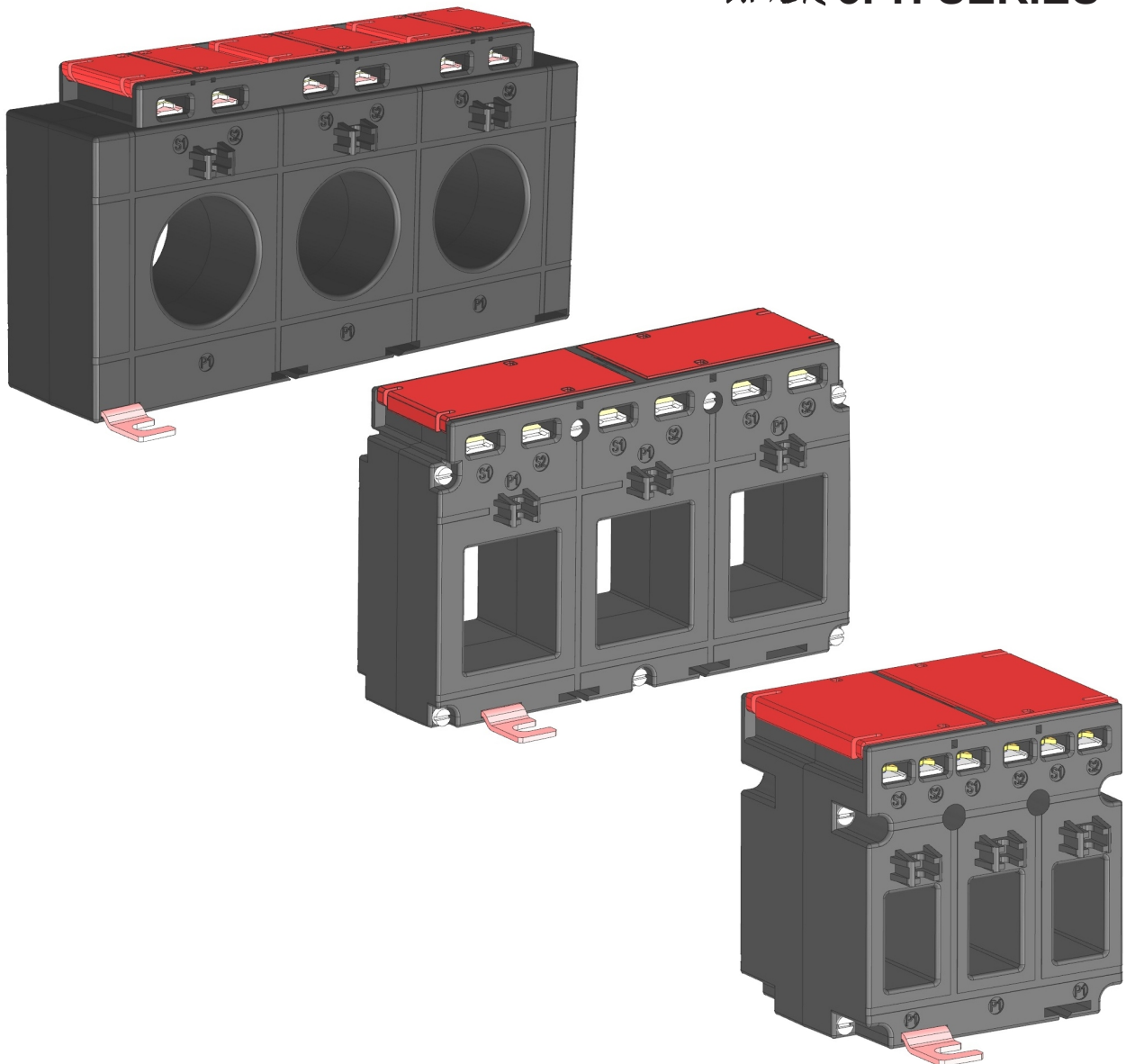




XMER 3PH SERIES



Measure



Control



Record



Analyze



Optimize

General specification

Applicable standard :- IEC-61869-1&2 / IEC-60044-1, BS3938, BS7626, IS-2705-1,2&3

Case :- Unfilled polycarbonate, flame retardant grades classified UL 94V-0.

Insulation class :- E(120°C max)

Test voltage :- 3KV 50 Hz for 1 minute.

Operating frequency :- 50Hz/60Hz

Rated Primary current :- 40A to 800A

Rated secondary current :- 5A standard

Continuous current :- 1.2X Rated current

Rated system voltage :- 0.72/3KV

Ambient temperature range :- -25°C to +40°C

Storage temperature range :- -50 to +80°C

Features

Compact size.

Wide range of system current Ratings.

Hinged terminal cover.

Various mounting options like DIN rail mounting, Wall mounting.

Terminal with self lifting screw with dual connection facility giving access from both sides of transformers.



Measure



Control



Record



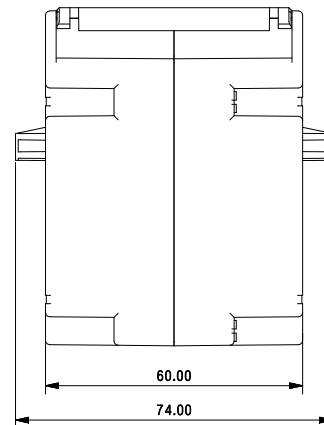
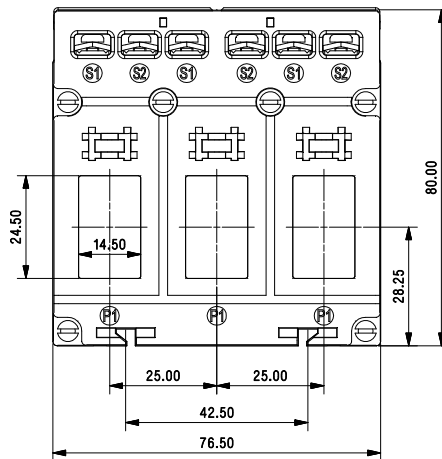
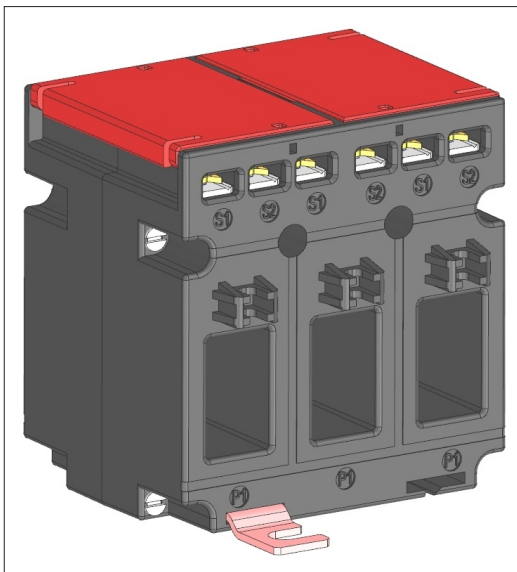
Analyze



Optimize

RISH XMER 3PH.

RISH XMER 3PH 75-15(60)



CT Ratio	Class 0.5	Class 1	Class 3
100/5A	-	1VA	2.5VA
125/5A	-	1.5VA	2.5VA
150/5A	1.5VA	1.5VA	2.5VA
160/5A	1.5VA	1.5VA	2.5VA

ALL DIMENSIONS ARE IN MM



Measure



Control



Record

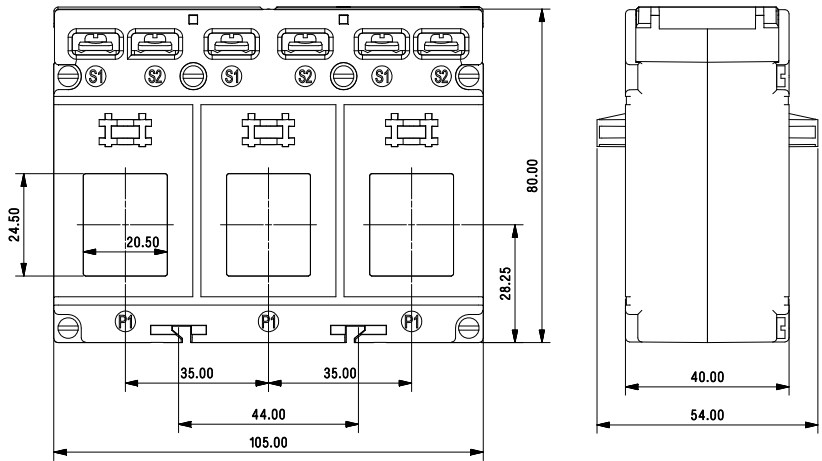
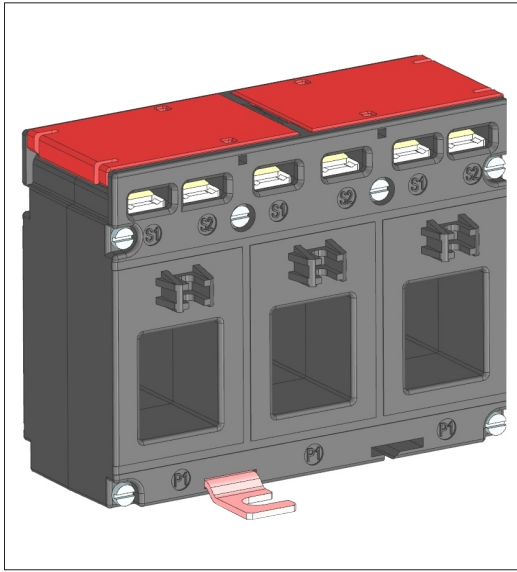


Analyze



Optimize

RISH XMER 3PH 105-21(40)



CT Ratio	Class 0.5	Class 1	Class 3
100/5A	-	1 VA	2VA
125/5A	-	1.5VA	2.5VA
150/5A	-	1.5VA	2.5VA
160/5A	1.5VA	1.5VA	2.5VA
200/5A	1.5VA	1.5VA	2.5VA
250/5A	1.5VA	1.5VA	2.5VA

ALL DIMENSIONS ARE IN MM



Measure



Control



Record

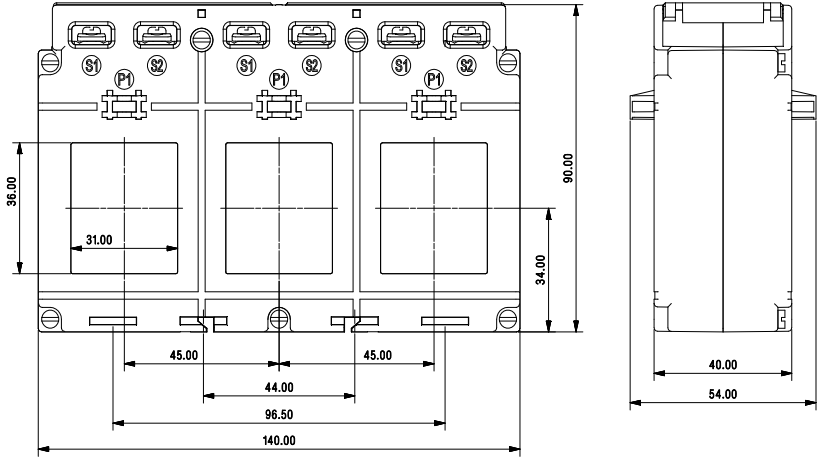
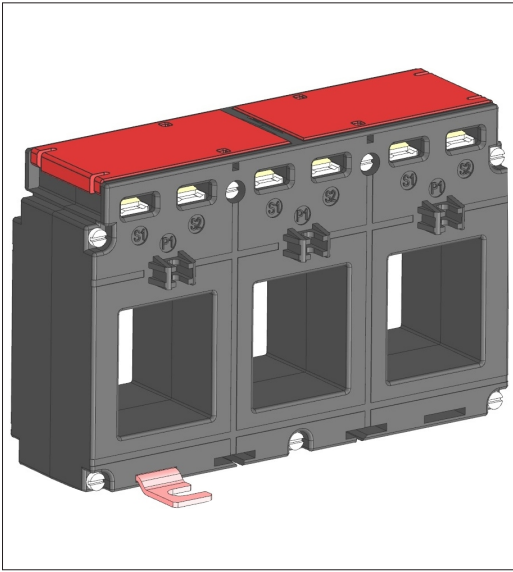


Analyze



Optimize

RISH XMER 3PH 140-31(40)



CT Ratio	Class 0.5	Class 1	Class 3
250/5A	1.5VA	1.5VA	2.5VA
300/5A	2.5VA	2.5VA	3.75VA
400/5A	2.5VA	2.5VA	3.75VA
500/5A	2.5VA	2.5VA	3.75VA

ALL DIMENSIONS ARE IN MM



Measure



Control



Record

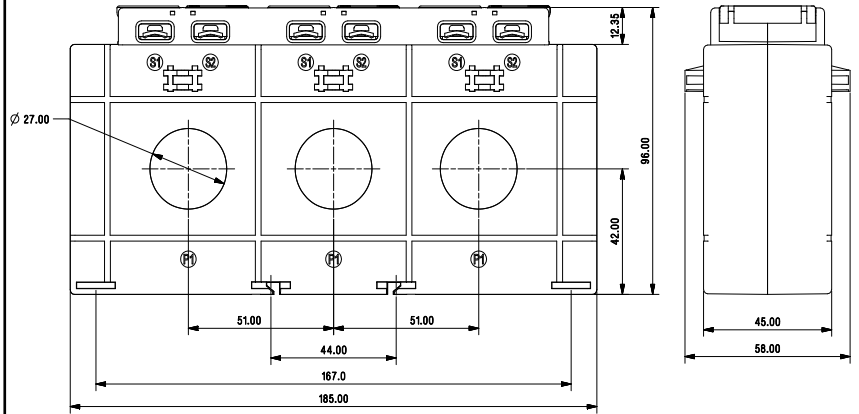
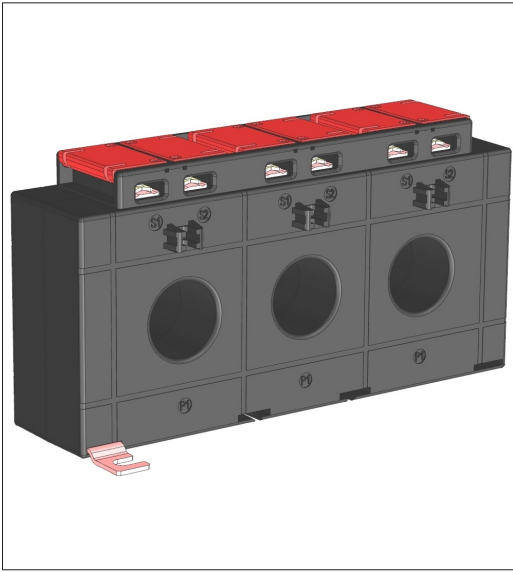


Analyze



Optimize

RISH XMER 3PH 185-27(45)



CT Ratio	Class 1	Class 3
40/5A	-	1.25VA
60/5A	-	1.5VA
80/5A	-	1.5VA
100/5A	1.5VA	1.5VA
150/5A	1.5VA	1.5VA
200/5A	2.5VA	2.5VA
250/5A	2.5VA	2.5VA
300/5A	5VA	5VA
400/5A	5VA	5VA
500/5A	5VA	5VA

ALL DIMENSIONS ARE IN MM



Measure



Control



Record



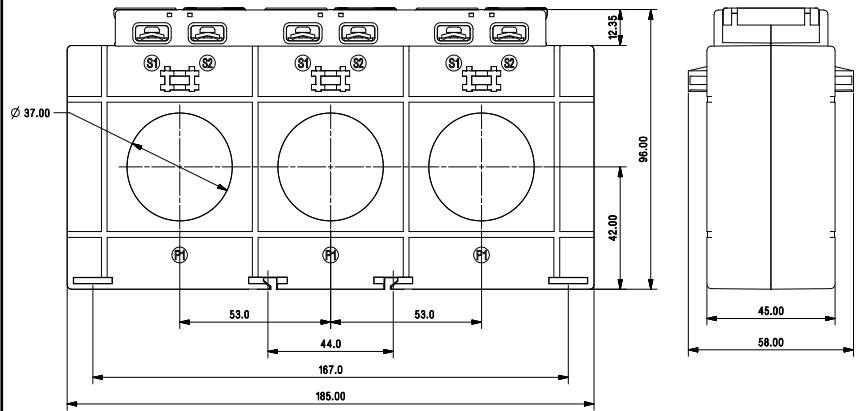
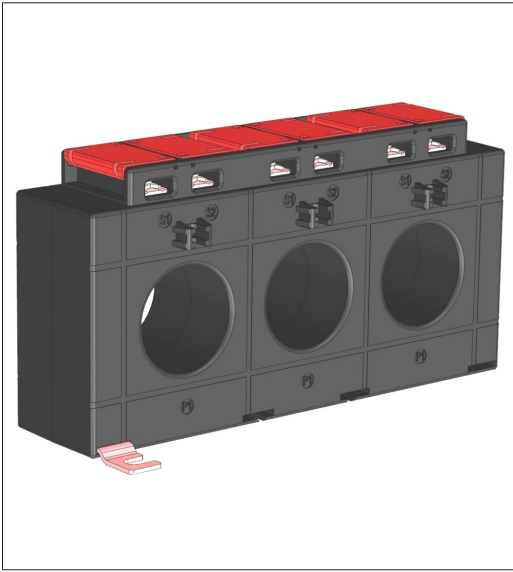
Analyze



Optimize

RISH XMER 3PH.

RISH XMER 3PH 185-37(45)



CT Ratio	Class 1	Class 3
300/5A	2.5VA	2.5VA
400/5A	5VA	5VA
500/5A	5VA	5VA
600/5A	5VA	5VA
800/5A	5VA	5VA

ALL DIMENSIONS ARE IN MM



Measure



Control



Record



Analyze



Optimize

RISHABH INSTRUMENTS LIMITED

Domestic (India): +91 253 2202099 | marketing@rishabh.co.in
 International: +91 253 2202004/06/08/99 | global@rishabh.co.in
www.rishabh.co.in