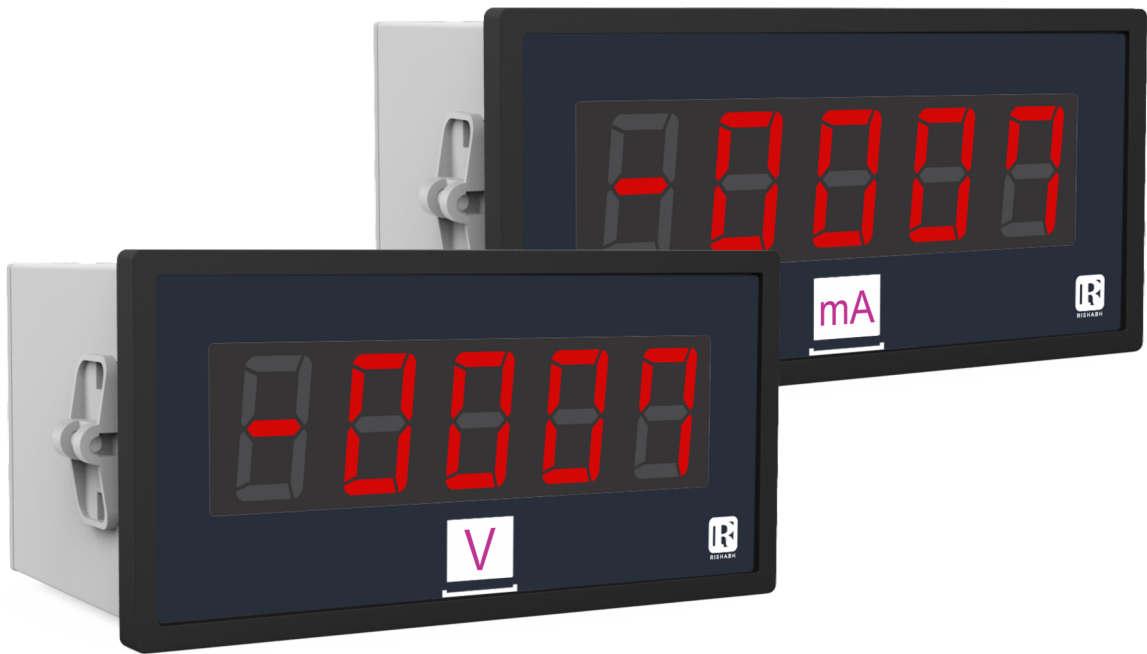




Data Sheet

RISH DPM

4½ Digit (DC input) size 72 X 144mm



Measure



Control



Record



Analyze



Optimize

Applications

The digital panel meters **RISH DPM 72 x 144 4½ Digit** have been designed for industrial applications, which frequently require precise and on-site adjustment of the display range.

It can be used in industrial automation and for laboratory uses.

Features:

- Available in Size 72mm x 144mm.
- DC Current ranges and DC Voltage ranges.
- 4 ½ Digit ultra bright Display.
- User defined caption
- Auxillary Power Supply :
AC – 230V (+10% / -15%).
AC – 110V (+10% / -15%).
DC – 110V (+10% / -15%).
DC – 24V (+/- 15%).

Highly adaptable DPMs suitable for a wide range of measuring applications.

Versions available for DC Current (mA) and DC voltage (mV & Volts) inputs.

The chosen input range is user adjustable, from 10% to 100% of the full-scale value for DC Current, mV DC and Voltage DC, for simple adaptation of the digital readout to the input value.

Specifications :

Display:

Display range	: 19999
Decimal point position	: Selectable by short links at the rear side of Display.
Negative display indication	: “- “
Digit height	: 26 mm / 7- segment digits.
Overload indication	: Last 4 digits blank. (1)

Measuring ranges:

[Max. Overload 120% of full-scale range value]

Model	RISH DPM 72 x 144 4½ DIGIT A DC
DC Current Ranges Available (Voltage drop < 600 mV)	0...20 mA and 4...20 mA (Range selection by input choice)
Model	RISH DPM 72 x 144 4½ DIGIT V DC
1) DC mV Ranges Available (Input current < 300uA)	0...60 mV, 0...75 mV, 0...150 mV and 0...200 mV (Range selection by input choice)
2) DC Voltage Ranges Available	0...2V or 0...20V or 0...200V or 0...500V or 0...1000V or Please specify any non-standard input Voltage range, available on request.

Description:

RISH DPM 72 x 144 A/V DC :

72 x 144 A DC	DC Current measurement, 2 ranges
72 x 144 V DC	DC Voltage measurement 1) mV input, 4 ranges 2) Voltage input, 5 range

Applicable Regulations and Standards

Protection Class Front	IP 20 to IEC EN 60 529 IP 50
Device safety	IEC EN 61 010
EMC immunity	IEC/ EN 61 000-4-1 to 4
EMC radiated interference	IEC/ EN 61326 Class B



Measure



Control



Record



Analyze



Optimize

Accuracy :

RISH DPM 72 x144 4½ DIGIT A DC:	Measuring Accuracy Current (Voltage drop < 600 mV)	: < 0.1% of range + 1 digit.
	Temperature coefficient	: 300 ppm / °C.
	Zero point drift	: 200 ppm / °C.
	Range adjustment span	: from 10% to 100% of range.

RISH DPM 72 x 144 4½ DIGIT V DC:

1) milli Volt ranges:	Measuring Accuracy milli volts (Input current < 300uA)	: < 0.1% of range + 1 digit.
	Temperature coefficient	: 300 ppm / °C.
	Zero point drift	: 200 ppm / °C.
	Range adjustment span	: from 10% to 100% of range.
2) Volt ranges:	Measuring Accuracy Volts (Input current < 300uA)	: < 0.1% of range + 1 digit.
	Temperature coefficient	: 300 ppm / °C.
	Zero point drift	: 200 ppm / °C.
	Range adjustment span	: from 10% to 100% of range.

Power supply:

4 ranges for power supply are available.		
Direct voltage DC	: 24 V DC (+/- 15%)	5.5W approx. (isolated).
	: 110 V DC (+ 10% / -15%)	5.5W approx. (isolated).
Alternating voltage AC	: 110 V AC (+ 10% / -15%)	5.5W approx. (isolated).
	: 230 V AC (+10 % / -15%)	5.5W approx. (isolated).
Frequency	: 47 – 60 Hz.	

Environmental conditions:

Climatic class	: Class 2 to VDE / DIN 3540.
Operating temperature	: 0 ... 55 °C.
Storage temperature	: -25 °C ... +65 °C.
Safety class	: II to IEC 348 / VDE 0411.
IP Protection	: IEC EN 60 529. For Back : IP 20. Front : IP 50 (IP 54 on request)
Device safety	: According to IEC EN 61 010.
High Voltage Test	: For AC Aux.: 2 kV AC, 50 Hz for 1 minute. For DC Aux. : 1 kV AC, 50 Hz for 1 minute.
EMC immunity	: According to IEC / EN 61 000-4-1 up to 4.
EMC radiated interference	: According to IEC / EN 61326 class B.

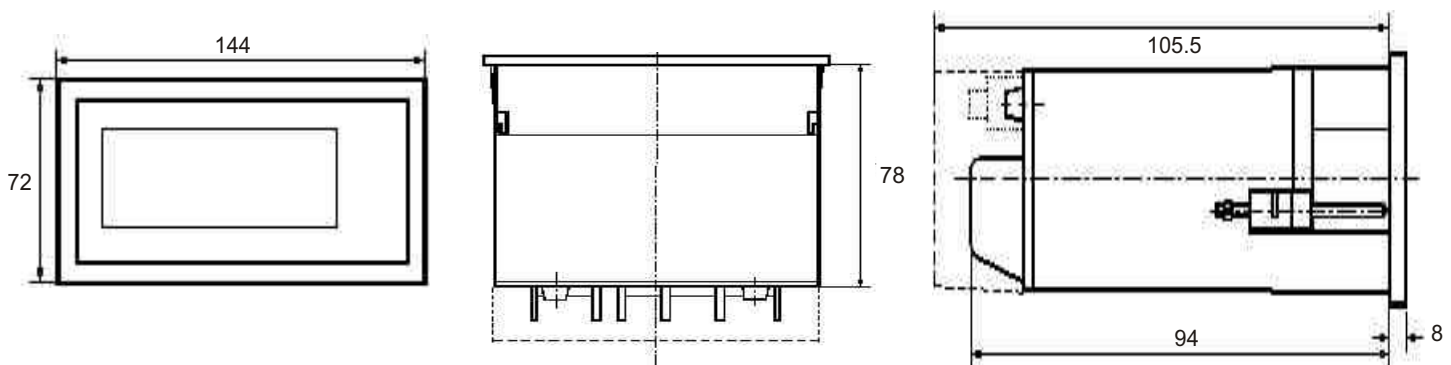
Dimensions and Weights:

Bezel size	: 72 mm x 144 mm DIN 43 700
Panel cut-out	: 68 + 0.7 mm x 138 + 1.0 mm
Overall depth	: 94 mm.
Weight	: 500 gm. Approx.

Sundry:

Connections	: Plug-in screw terminal blocks.
-------------	----------------------------------

Design & Installation



Measure



Control



Record

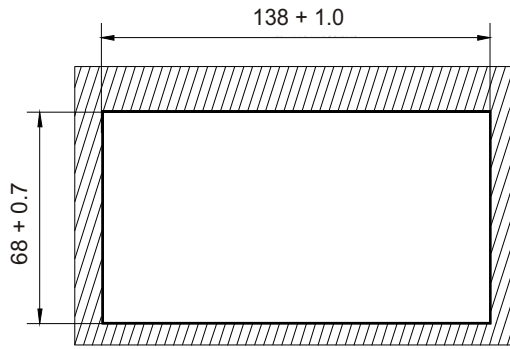


Analyze

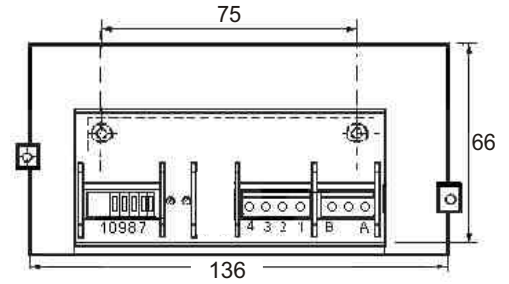


Optimize

Installation cut-out



Connections



Connections for RISH DPM 72 x 144 4½ Digit

CONNECTION FOR RISH DPM 72 x 144 A DC

Current DC : 0... 20 mA : Terminals 1 and 2 with terminals 5 and 6 open.

4... 20 mA : Terminals 1 and 3 plus jumper between terminals 5 and 6.

CONNECTION FOR RISH DPM 72 x 144 V DC – milli Volts

Milli Volts DC : 0... 60 mV / 0... 75 mV : Terminals 1 and 2.
0... 150 mV : Terminals 1 and 3.
0... 200 mV : Terminals 1 and 4.

CONNECTION FOR RISH DPM 72 x 144 V DC –Volts

Volts DC : 0...2 V or
0...20 V or
0...200 V or
0...500 V or
0...1000 V

— : Terminals 1 and 4.

Decimal point Adjustment :

Decimal point position is selectable by short links at the rear side

Short Link Position	Decimal point position on Display
	XXXXX
	X.XXXX
	XX.XXX
	XXX.XX
	XXXX.X

Order Details

Type
Measuring Input
Display Full-Scale
Display caption
Aux. Supply

Example 1

RISH DPM 72 x 144 A DC
0 ... 20 mA
0 ... 19999
mA
24V DC.

Example 2

RISH DPM 72 x 144 V DC
0...1000 V
0...19999
V
230V AC, 50 Hz



Measure



Control



Record



Analyze



Optimize



RISHABH

All specifications are subject to change without notice



Measure



Control



Record



Analyze



Optimize

RISHABH INSTRUMENTS LIMITED

Domestic (India): +91 253 2202099 | marketing@rishabh.co.in
International: +91 253 2202004/06/08/99 | global@rishabh.co.in

www.rishabh.co.in