

DPM 96 x 96 4 1/2 DIGIT VDC - C / F

Operating Manual

The **DPM 96 x 96 VDC** is a Digital Panel Meter (DPM) in 96 x 96 size for measurement of DC mV with 4 ranges and DC voltage with 5 ranges. Four ranges for power supply are available.

Operation :

By changing short links decimal point can be adjusted as shown in sticker on page 2.
The full scale value on the display can be adjusted on site with potentiometer at the rear side of the Instrument from 10% to 100% of FSD (FSD = 19999). Similarly it is possible to adjust the live zero with the help of potentiometer at the rear side.

Further **DPM 96x96 ADC** version from the series :
DPM 96 x 96 ADC Instrument for DC Voltage measurement

Technical Data:

Display	Display range Decimal point position Negative display indication Digit height Overload indication	19999 selectable by short links on the Front side. “-“ 14 mm / 7- segment digits last 4 digits blank (1).
Measuring ranges (Max overload 20% of Full scale range value)	Accuracy for mV Accuracy for Voltage DC mV. (Input Current < 300 uA) DC Voltage	< 0.1 % + 1 digit. < 0.1 % + 1 digit. 0 ... 60 mV / 75 mV, 0 ... 150 mV / 200 mV. 0 ... 2 V. 0 ... 20 V. 0 ... 200 V. 0 ... 500 V. 0 ... 1000 V.
	Temperature coefficient zero point drift Range adjustment span	300 ppm / °C, plus. 200 ppm / °C. from 10% to 100% of range.
Power supply	Direct voltage DC Alternating voltage AC (47 - 60 Hz)	24 V +/-15 % max.5.5 W (isolated). 110 V +10 %, -15% max.5.5 W (isolated). 110 V +10 %, -15% max.5.5 W (isolated). 230 V +10 %, -15% max.5.5 W (isolated).
Environmental conditions	Climatic class Operating temperature Storage temperature Safety class IP Protection Device safety EMC immunity EMC radiated interference	Class 2 to VDE / DIN 3540. 0 ... 55 °C. -25 °C ... + 65 °C. II to IEC 348 / VDE 0411. IEC EN 60 529. For Back : IP 20. Front : IP 50 (IP 54 on request). According to IEC EN 61 010. According to IEC / EN 61 000-4-1 up to 4. According to IEC / EN 61326 class B.
Dimensions and weights	Front bezel size Panel cut-out Overall depth Weight Approx.	96 mm x 96 mm DIN 43 718. 92 + 0.8 mm x 92 + 0.8 mm. 55 mm. 500 gm.
Sundry	Connections	Plug and screw terminal blocks.



DPM 96 x 96 4 1/2 DIGIT VDC - C / F

Sample sticker

DPM 96X96 4 1/2 VDC - C			Sr. No.	/	/
Range: 0... 150 mV			Display: 19999		
Aux Supply	A	N(-)	110 VDC (+10 % -15 %)		
	B	L(+)			
	1	LO	COMMON		
	2	HI	0... 60 mV / 0... 75 mV		
	3	HI	0... 150 mV / 0... 200 mV		
⓪ Z – Zero Adj. ⓪ S – Span Adj.					
			X.XXXX XX.XXX XXX.XX XXXX.X		
			Front Display View Select Short Link Position for Decimal point Adjustment		

Connection Diagram

DPM 96X96 4 1/2 VDC - F			Sr. No.	/	/
Range: 0... 500 V			Display: 19999		
Aux Supply	A	N(~)	230 VAC, 50 Hz (+10 % -15 %)		
	B	L(~)			
	1	LO	COMMON		
0... 2 V, 0... 20 V, 0... 200 V, 0... 500 V, 0... 1000 V.					
⓪ S – Span Adj.					
			X.XXXX XX.XXX XXX.XX XXXX.X		
			Front Display View Select Short Link Position for Decimal point Adjustment		

Measuring Input

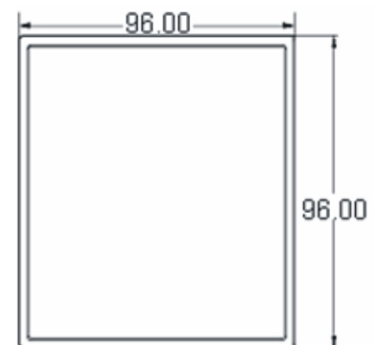
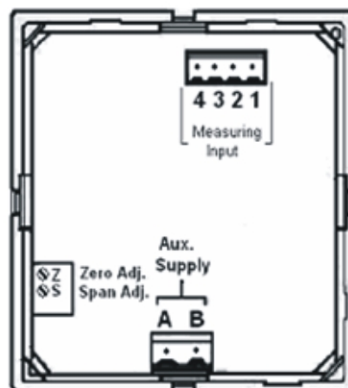
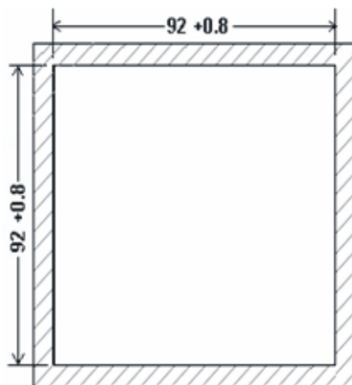
Auxillary Supply
 Decimal point adjustment
 Display adjust (with external calibrator)
 mV DC Input

V DC Input

Terminals A (-/N) and B (+/L).
 with shorts links at rear side.
 with pots at rear side of the meter.
 0...60 mV / 75 mV Terminal 1 & 2.
 0 ...150 mV / 200 mV Terminal 1 & 3.

0 ... 2 VDC Terminals 1 and 3 or
 0 ... 20V DC Terminals 1 and 3 or
 0 ... 200V DC Terminals 1 and 3 or
 0 ... 500V DC Terminals 1 and 3 or
 0 ... 1000V Terminals 1 and 3.

Design & Installation



Caution: Do not change the short links on Display (for decimal point adjustment) when the input is applied to the DPM



RISHABH INSTRUMENTS
 Measure, Control & Record with a Difference

RISHABH INSTRUMENTS PVT.LTD.
 F-31, MIDC, Satpur, Nashik-422 007, India.
 Tel.: +91 253 2202160, 2202202 Fax : +91 253 2351064
 E-mail : India :- marketing@rishabh.co.in
 International :- exp.marketing@rishabh.co.in
 www.rishabh.co.in