

Data Sheet

RISH CT DUCER 50 ... 750 A AC



Measure



Control



Record



Analyze

Current Transformers with Transducer - Measurement of AC current

Rish CTDucer is a very reliable, efficient and robust current transformer for measurement of AC current. It provides 4 ... 20 mA or 0 ... 20mA DC output.

It is useful in

- Data Monitoring & Network Analysis
- Measurement of non - sinusoidal and distorted networks

Features

- Two products in one - single device serves functionality of both current transformer as well as transducer
- Measurement of AC current for frequency 50/60Hz
- Provides proportional 4 ... 20 mA or 0 ... 20 mA DC output
- High output load resistance up to 1000 ohm
- Two models for True RMS and Average type measurement available
- Easy and safe electrical connection by means of spring clamp terminal

Technical Data

Measuring Range (In)	0 ... 300 A AC or 0 ... 750 A AC (Refer Model Info Table)
Input Frequency Range	50/ 60 Hz
DC Current Output	4... 20 mA , 0...20 mA
Max. Burden Resistance at Current Output	R _B 750 Ohm R _B 1000 Ohm (U _H > 24 V DC)
Current Limit Under Overload	< 30 mA
Accuracy (IEC 60688)	+/- 0.5 %
Max. Operating Voltage U _m	0.72 kV, U _{eff}
Isolation Test Voltage (IEC 61010-1)	6.4 kV AC , 50 Hz, 60 Seconds Primary Conductor Vs Measuring Output Housing Vs Measuring output and Auxiliary supply
Auxiliary Voltage	24 V DC, +/- 15% (external protection via fuse 250 mA / 250 V, fast)
Current Consumption	< 50 mA
Response Time	< 600ms
Installation Category	III
Thermal Nominal Continuous Rated Current	1.2 x I _n
Protection Class	IP20



Measure



Control



Record



Analyze

Operating Temperature and Humidity	0 ... 70 °C, 0 ... 95% rH without condensation
Storage Temperature	-40 ... 90 °C
Max. Temperature of Primary Conductor	100° C

Applicable Technical Standards

Electromagnetic Compatibility	IEC-61326-1, Table 2
Immunity	IEC 61000-4-2
	IEC 61000-4-3
	IEC 61000-4-4
	IEC 61000-4-6
	IEC 61000-4-8
	Short term measured value deviation of +/-1% may occur during electromagnetic interference thus reducing the specified operating quality
Emission	CISPR 11
Safety	IEC 61010-1, 2010
Accuracy	IEC 60688, 2012

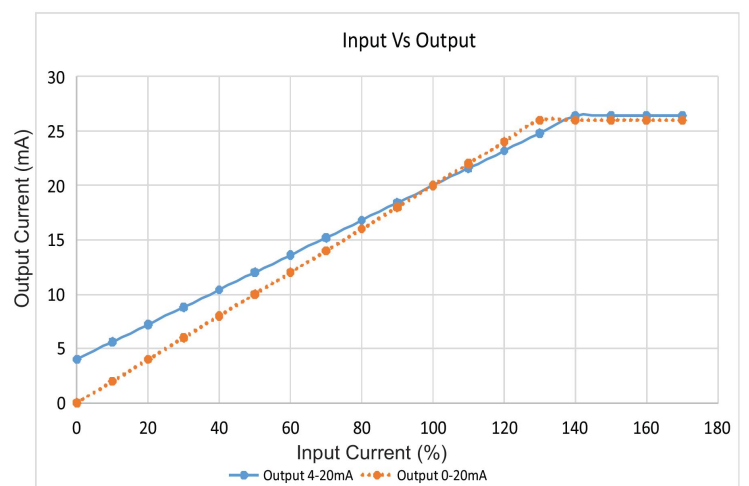
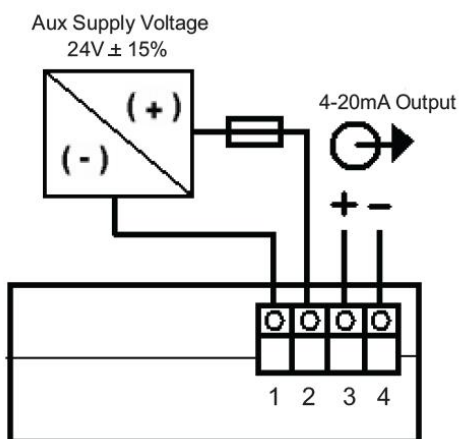
Electric Connections

Iout -	Iout +	UH+	Ground
--------	--------	-----	--------

Spring clamp terminal

Connection cross sections: 0.08 ... 2.5 mm²

Connection Diagram



Measure



Control



Record



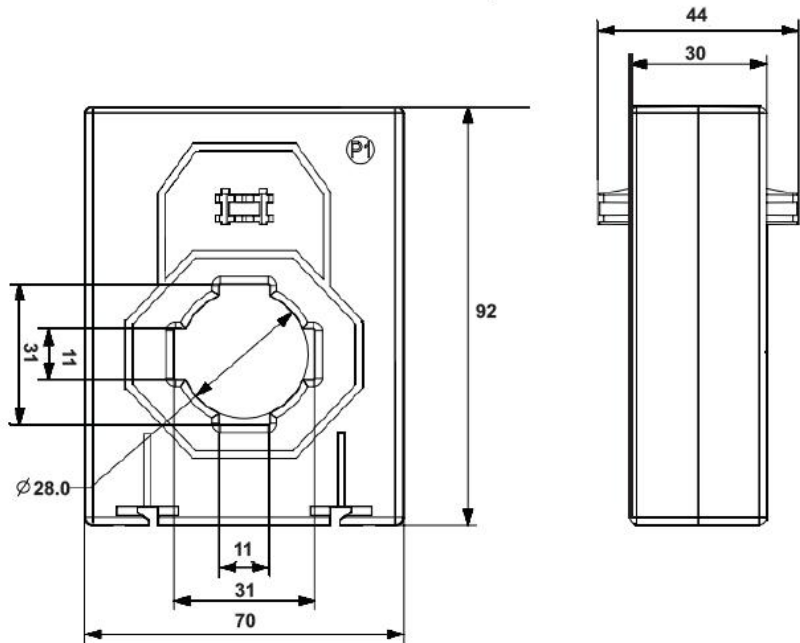
Analyze

Dimensions

Model 70 x 30 mm

Transformer width: 70 mm
Transformer height: 92 mm
Transformer depth: 44 mm

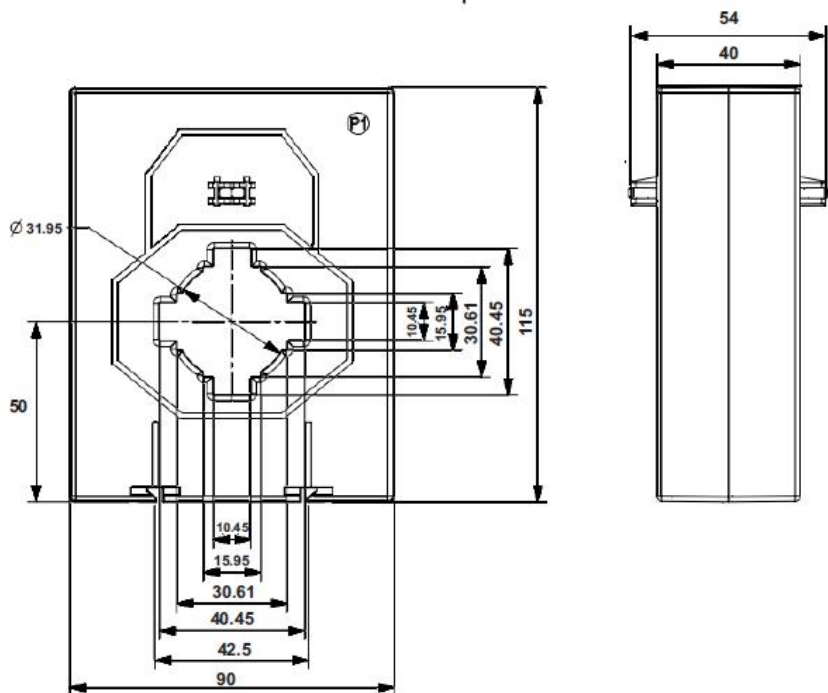
Bus bar: 30 x 10 mm
Round conductor: 28 mm



Model 90 x 40 mm

Transformer width: 90 mm
Transformer height: 115 mm
Transformer depth: 58 mm

Bus bar: 30 x 10 mm
Round conductor: 31.5 mm



Measure



Control



Record



Analyze

Rish CT *Ducer*, CT with Transducer options

Type	Primary Current (AC)	Current Output (mA DC)
RISH CT <i>Ducer</i> 70 x 30mm (TRMS or Average)	50	4 ... 20 mA or 0 ... 20 mA
	100	
	150	
	200	
	250	
	300	
RISH CT <i>Ducer</i> 90 x 40 mm (TRMS or Average)	150	4 ... 20 mA or 0 ... 20 mA
	200	
	250	
	300	
	400	
	500	
	600	
	750	



Measure



Control



Record



Analyze

Ordering Information

CT with Transducer	CCT1	XX	X	XX	X	XXXXXXXX
Type	70x30 mm AVG	1A				
	70x30 mm TRMS	1T				
	90x40 mm AVG	2A				
	90x40 mm TRMS	2T				
Primary Current Ratio	50A*		A			
	100A*		B			
	150A		C			
	200A		D			
	250A		E			
	300A		F			
	400A**		G			
	500A**		H			
	600A**		I			
	750A**		J			
	Non Standard Range***		X			
Output	4 ... 20 mA DC			65		
	0 ... 20 mA DC			75		
Power Supply	24V DC				L	
Version	Standard					0000000
	Custom					00000XX

* Available only in Size 70 x 30 mm only

** Available in Size 90 x 40 mm only

*** After written confirmation from HO Only - Please contact HO



Measure



Control



Record



Analyze



RISHABH

RISHABH INSTRUMENTS PVT. LTD.

Trishala Unit, C-6, NICE Area, MIDC, Satpur, Nashik - 422007, India.

Tel: +91 253 2202028 / 099 | Fax: +91 253 2351064 | E-mail: marketing@rishabh.co.in | www.rishabh.co.in



Measure



Control



Record



Analyze