

# RISH EM 3490 DIN Panel Mouted Kilowatt Hour Energy Meter

## Application :

**RISH Master 3490** is a 96mm x 96mm panel mounted kilowatt hour meter it measures active energy with class 1.0 accuracy having 7 digit auto-resetting electro-mechanical counter. The unit provides LED indication for healthy phase, load reverse current. The RISH Master 3490 is available in three version 3phase 3 wire, 3 phase 4 wire unbalanced load and single phase and is ideal for secondary metering in industrial applications.

## Product Features:

- Class 1.0 Accuracy
- Available in 3 phase 4 wire, 3 phase 3 wire and single phase version.
- Led indication: Healthy phase, Reverse Current
- Applicable to Standards IS 13779, IEC 62053-21
- 7 Digit auto-resettable mechanical counter
- True RMS measurement
- Fully programmable CT ratios
- Fully isolated current input
- Built in transient protection
- State of art SMD technology
- Pulse output: one potential free relay contact

## LED Indication:

### -3 phase voltage status:

The unit contains three green LED, one for each voltage phase. Three illuminated LED's indicate active monitoring of each of the three phases. In case if any one phase voltage is missing the appropriate LED will switch 'OFF'. However the meter will continue to accurately measure energy for the available voltage phases. In case of phase sequence error all three LED will start blinking with a repetition rate of 1Hz.

### -Reverse connected current transformer :

Three red LED's are provided for each of three phases. Illumination of the red LED indicates a reverse connected CT. The meter will continue to register the energy consumption even if the CT's are reverse connected.

### -Pulse Indication:

The unit features a red LED pulse indicator which flashes at rate proportional to measured power.

## RISH EM 3490



### Lowback depth:

The instrument has very low back depth (behind the panel) of less than 80 mm in spite of optional features like pulse output

**Enclosure Protection for dust and water:**  
conforms to IP 54 (front face)

**Compliance to International Safety standards**  
Compliance to International Safety standard  
IEC 61010-1-2001

## Advantages:

- Since CT ratio is user selectable, a single meter can be used for all application
- Low VA burden
- Tamper proof
- Easy to wire



**RISHABH**  
INSTRUMENTS  
Measure, Control & Record with a Difference

**RISHABH INSTRUMENTS PVT.LTD.**  
F-31, MIDC, Satpur, Nashik-422 007, India.  
Tel.: +91 253 2202160, 2202202 Fax : +91 253 2351064  
E-mail : India :- marketing@rishabh.co.in  
International :- exp.marketing@rishabh.co.in  
www.rishabh.co.in

# RISH EM 3490 DIN Panel Mouted Kilowatt Hour Energy Meter

## Technical Specifications:

### Accuracy:

Active energy (kWh) Class 1.0

### Input Voltage:

Nominal input voltage (AC RMS)

#### Three Phase

Line-Line 110V L-L

Line-Line 240V L-L

Line-Line 415V L-L

Line-Line 440V L-L

#### Single Phase

110V L-N

240V L-N

### Input Current:

Nominal input current

5A or 1A (To be Specified while ordering).

System CT Primary Ratios :

5A - 9999A or 1A - 9999A (Programmable by thumbwheel switches at the back of meter

Max Continuous Input Voltage :

For 3 Phase 120% of Nominal Value

For single phase 110% of Nominal Value

Start up current

0.2% of the rated current

Max continuous input current

120% of Nominal Value

### Pulse output

Pulsed output

Relay contact

Pulse duration

>=40ms

### Auxiliary Supply:

AC Auxiliary Supply

Self powered

### VA Burden:

Nominal input voltage burden

< 15 VA per Phase

Nominal input current burden

< 0.2 VA per Phase

### Counter:

Counter:

7 digit electro-mechanical counter

Reading resolution

1 per kW.h (for no multiplier)

### LED Indication:

LED indicator display: 3 x green: Voltage phase monitoring

3 x red : Reverse connected CT warning.

Pulse indicator

Red LED flashing at a rate proportional to measured power.

Multiplier

Indicates counter reading to be multiplied with.

### Overload Withstand:

Max short duration Current

20 x Rated value for 0.5 second.

### Operating Measuring Ranges

Voltage (AC RMS)

#### Three Phase

Line-Line 110V L-L (85V to 130V)

Line-Line 240V L-L (204V to 276V)

Line-Line 415V L-L (330V to 470V)

Line-Line 440V L-L (380V to 495V)

#### Single Phase

110V L-N (99V to 121V)

240V L-N (216V to 264V)

Current

5A ( 0.25A to 6A)

1A ( 0.05A to 1.2A)

Power Factor

0.5 inductive – 1 – 0.8 capacitive

Frequency

45Hz to 55 Hz



**RISHABH**  
INSTRUMENTS  
Measure, Control & Record with a Difference

#### RISHABH INSTRUMENTS PVT.LTD.

F-31, MIDC, Satpur, Nashik-422 007, India.

Tel.: +91 253 2202160, 2202202 Fax : +91 253 2351064

E-mail : India :- marketing@rishabh.co.in

International :- exp.marketing@rishabh.co.in

www.rishabh.co.in

# RISH EM 3490 DIN Panel Mouted Kilowatt Hour Energy Meter

## Technical Specifications:

### Enclosure style:

Enclosure style	96 X 96 DIN Quadratic)
Enclosure material	Polycarbonate (Self extinguish & non dripping as per UL 94 V-0)
Terminals	M4 Screw Type
Fixing	4 side clamps

### Dimension:

Dimension	96mm high x 96mm wide x 80mm deep
Panel cutout	92mm x 92mm
Weight	320-400 gm

### Reference conditions for Accuracy:

Reference temperature	23°C +/- 2°C
Voltage	±1% of Rated Value
Input waveform	Sinusoidal (distortion factor less than 2%)
Input frequency	50 Hz ±0.3%

### Applicable Standards:

Standard	IS 133779, IEC62053-21 IEC 61010-1- 2001 (CAT III 300V ac rms / Pollution Degree 2)
IP protection	IP54 ( Front Only)

### Dielectric Strength

2.2 kV AC, 50Hz for 1 minute.

### Environmental

Operating temperature	0 to +55°C
Storage temperature	-20 to +65°C



**RISHABH**  
INSTRUMENTS  
Measure, Control & Record with a Difference

### RISHABH INSTRUMENTS PVT.LTD.

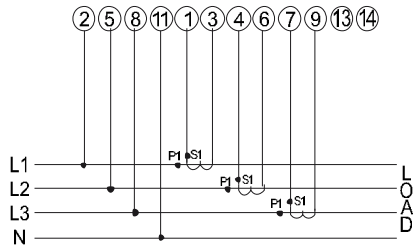
F-31, MIDC, Satpur, Nashik-422 007, India.  
Tel.: +91 253 2202160, 2202202 Fax : +91 253 2351064  
E-mail : India :- marketing@rishabh.co.in  
International :- exp.marketing@rishabh.co.in  
www.rishabh.co.in

# RISH EM 3490 DIN Panel Mouted Kilowatt Hour Energy Meter

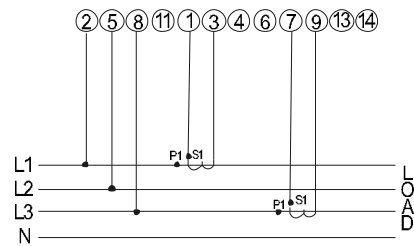
## Electrical Connections:

### Wiring :

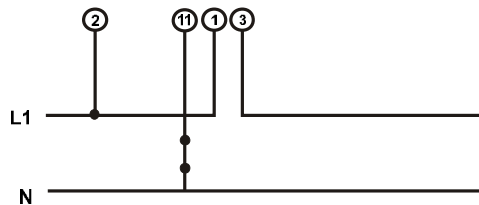
Input connections are made directly to shrouded screw clamp terminals. Numbering is clearly marked on the plastic molding. Choice of cable should meet local regulations. Terminals for both current and voltage inputs will accept up to two 12 AWG diameter cables.



For 3 Phase 4 Wire Unbalanced Load

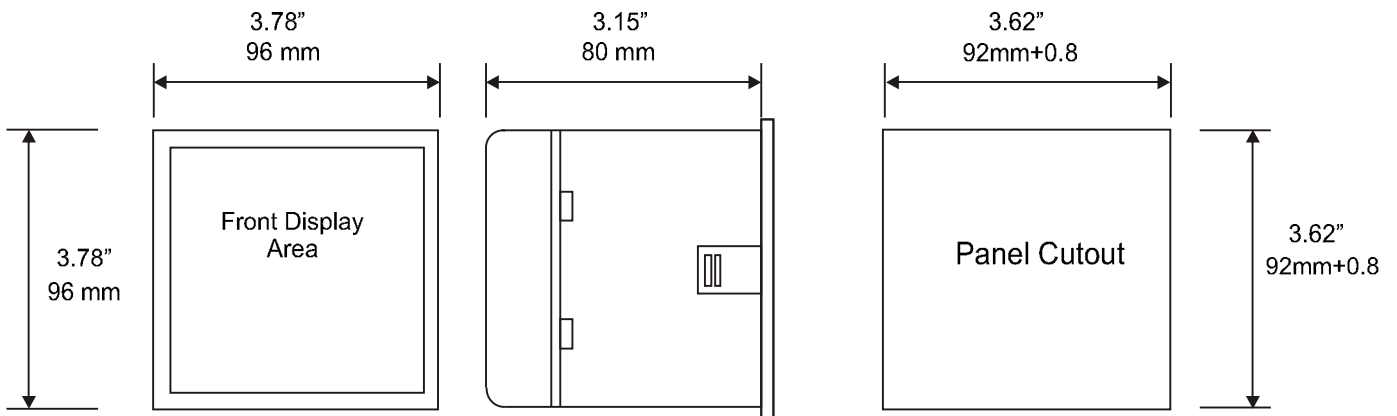


For 3 Phase 3 Wire Unbalanced Load



For Single Phase

## Dimensions



Max Panel Thickness 0.19", 5mm



**RISHABH**  
INSTRUMENTS  
Measure, Control & Record with a Difference

**RISHABH INSTRUMENTS PVT.LTD.**  
F-31, MIDC, Satpur, Nashik-422 007, India.  
Tel.: +91 253 2202160, 2202202 Fax : +91 253 2351064  
E-mail : India :- marketing@rishabh.co.in  
International :- exp.marketing@rishabh.co.in  
www.rishabh.co.in