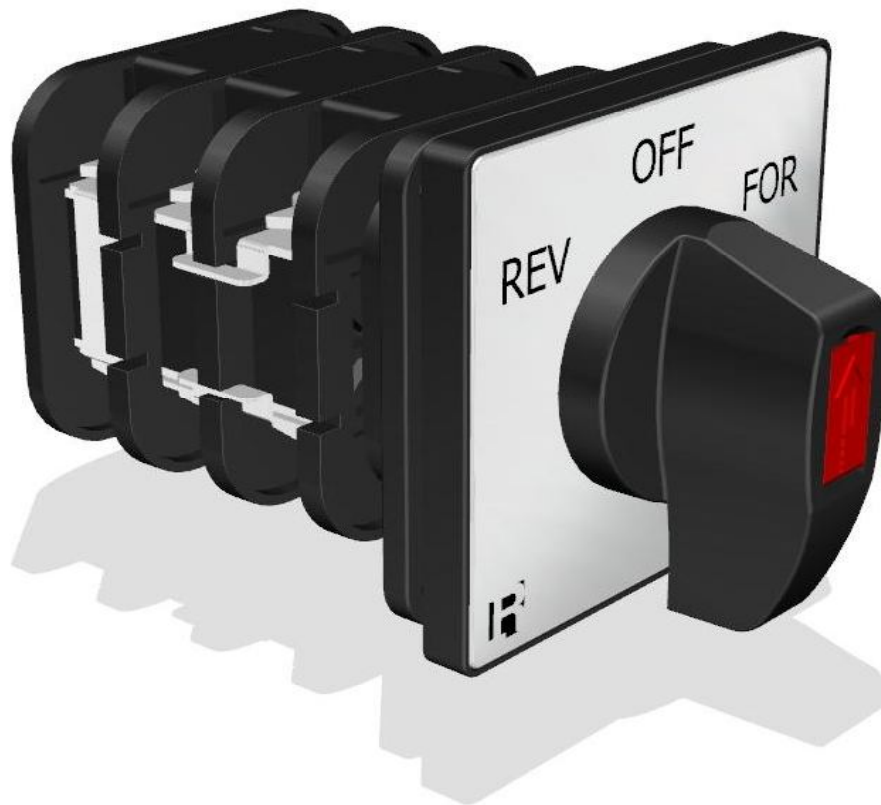




Data Sheet

Cam Switch Reverse Forward



Rishabh's New Cam Switch 63A Reverse Forward offers a wide application in motor controlling with maximizing the benefits and optimizing your use of assets.

- Cam switch 25A Reverse Forward
- Cam switch 40A Reverse Forward
- Cam switch 32A Reverse Forward
- Cam switch 63A Reverse Forward



Measure



Control



Record



Analyze

Product Features

Compact Size:

Different contact design, contact material & terminal allows us to make them compact.

Reliable Design:

These switches are tested in various laboratories as per National and International standards for performance and user safety.

Quick & Easy to Install:

Self Lifting clamp screw across terminals makes installation quick and easy.

Safer Design:

Knob cover for knob screw to avoid direct metal contact. Higher rating wire can be used across terminals because of larger space for lugs in 63A Reverse Forward switch.

Ingress Protection:

IP50 Class of protection from front for user safety during normal operation



Application

This switches have wide application in motor control for Forward Reverse of motor with 2pole & 3pole option.

Product Ranges

Sr. No.	Motor	Angle	Ampere Rating				No. of Stack
			25A	32A	40A	63A	
1	2 Pole	45D	✓	✓	✓	✓	2
		60D	✓	✓	✓	✓	
2	3 Pole	45D	✓	✓	✓	✓	3
		60D	✓	✓	✓	✓	



Measure



Control

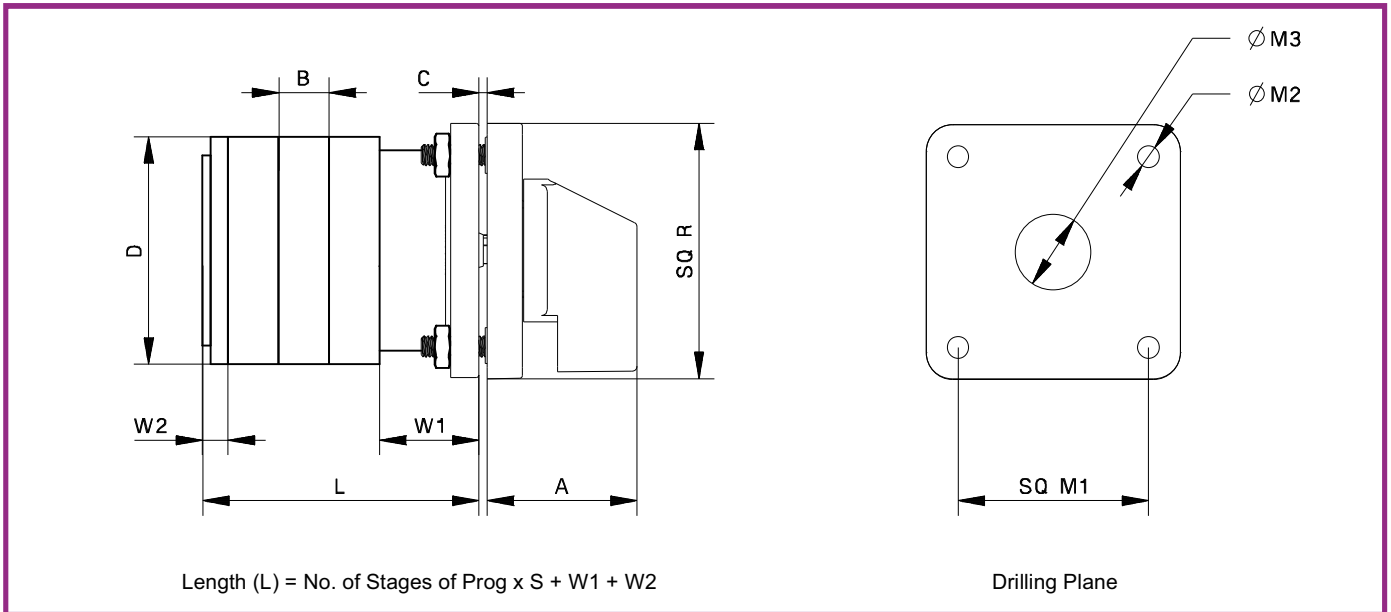


Record



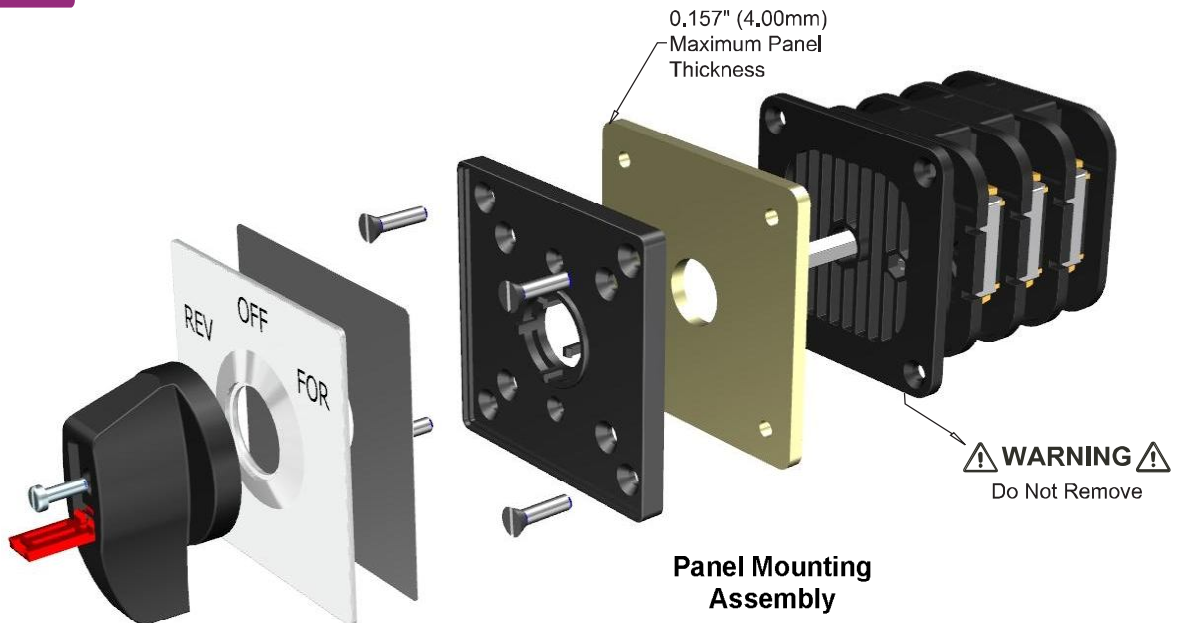
Analyze

Rotary Cam Switches Dimensional Details



TYPE	A	B	C _(Max.)	D	L	M1	M2	M3	R	W1	W2
Rish Cam 25A Reverse Forward	34	15	4	53	73	48	4	12	64	24	6
Rish Cam 32A Reverse Forward	34	15	4	53	73	48	4	12	64	24	6
Rish Cam 40A Reverse Forward	34	15	4	53	73	48	4	12	64	24	6
Rish Cam 63A Reverse Forward	42.4	30	4	72	96	68	5.5	18	88	19.5	13.5

Installation



All the dimensions are in mm.



Measure



Control



Record



Analyze

Technical Data

Conformance to standards :		Operating Conditions :		Switch Life :			
European : IEC 60947-1 IEC 60947-3 IEC 60947-5		Frequency : 50/60 Hz Operating Temp. : -25°C to 60°C Over voltage category : III Storage : -40°C to 80°C Max. Altitude : 2000 m IP: 50 Front		Mechanical Life : 1 Lac operations @ 300 Cycles/hr Electrical Life : 10,000 operations @ 100% Rated duty at 120 cycles/hr Contacts : Double break type AgNi Double break type AgCdO			
Parameter		Unit	25A	32A	40A	63A	
Rated operational voltage (Ue)		V	690	690	690	690	
Rated Insulation voltage (Ui)		V	690	690	690	690	
Rated operational current (Ie)		A	25	32	40	63	
rated uninterupted current (Ith)		A	32	40	50	80	
Rated short time withstand current (Icw)		(1s- Current) KV	6	6	6	6	
Rated Impulse withstand voltage (Uimp)		A	300	384	480	756	
Rated Fuse short circuit current		KA	10	10	20	20	
Fuse size (Type gG /gM)		A	25	32	50	63	
AC23A 3phase		220-240V	KW	4.7	5.5	7.5	11
		380-440V	KW	7.5	11	15	18.5
		500V	KW	11	15	18.5	22
		660-690V	KW	11	15	18.5	22
AC23A 1phase		110V	KW	1.5	2.2	2.2	3
		220-240V	KW	3	3.7	5.5	7.5
		380-440V	KW	5.5	7.5	7.5	11
AC3 3phase		220-240V	KW	4.7	5.5	7.5	11
		380-440V	KW	7.5	11	15	18.5
		500V	KW	11	15	18.5	22
		600-690V	KW	11	15	18.5	22
AC3 1phase		110V	KW	1.5	2.2	2.2	3
		220-240V	KW	3	3.7	5.5	7.5
		380-440V	KW	5.5	7.5	7.5	11
AC21A/AC1			A	25	32	40	63
AC15		220-240V	A	8	14	16	-
		380-440V	A	5	6	7	-
Terminal cross -section							
Single / Multiple		Min	mm2	2.5	2.5	4	4
		Max	mm2	4	6	10	16
Fine strand with sleeve		Min	mm2	1.5	1.5	2.5	2.5
		Max	mm2	4	4	6	10
Terminal screw			Metric	M4	M4	M4	M5
Terminal tightening torque			Nm	1.2	1.2	1.2	1.2

* Rated short time withstand current (0.5s- current)



Measure



Control



Record



Analyze

Ordering Information

CRFX	X	XX	X	X	XX	X	X	X	X	XX
CRF1 : Momentary Reverse Forward										
Ampere Code D : 25A E : 32A F : 40A G : 63A	E F G H									
Positioning Angle 45 : 45 Degree 60 : 60 Degree		45 60								
Rotation Angle L : Less than 360 Degree rotation angle			L							
Pole 2 : 2 Pole 3 : 3 Pole				2 3						
No. of Ways					XX					
With Off						O				
Knob Shape F : Flang Shape							F			
Front Plate Colour S : Silver Sheet & Black Knob Y : Yellow Sheet & Red Knob								S Y		
Blank									0	
Customer Specification										00



Sr. No.	Ordering Code	Description
1	CRF1-G60L3XXOFS000	Reverse Forward Switch 3P 60D 63A
2	CRF1-D60L2XXOFS000	Reverse Forward Switch 2P 60D 25A



Measure



Control



Record



Analyze



RISHABH



Measure



Control



Record



Analyze

RISHABH INSTRUMENTS PVT. LTD.

Trishala Unit, C-6, NICE Area, MIDC, Satpur, Nashik - 422007, India.

Tel: +91 253 2202371 / 028 | Fax: +91 253 2351064 | E-mail: marketing@rishabh.co.in | www.rishabh.co.in