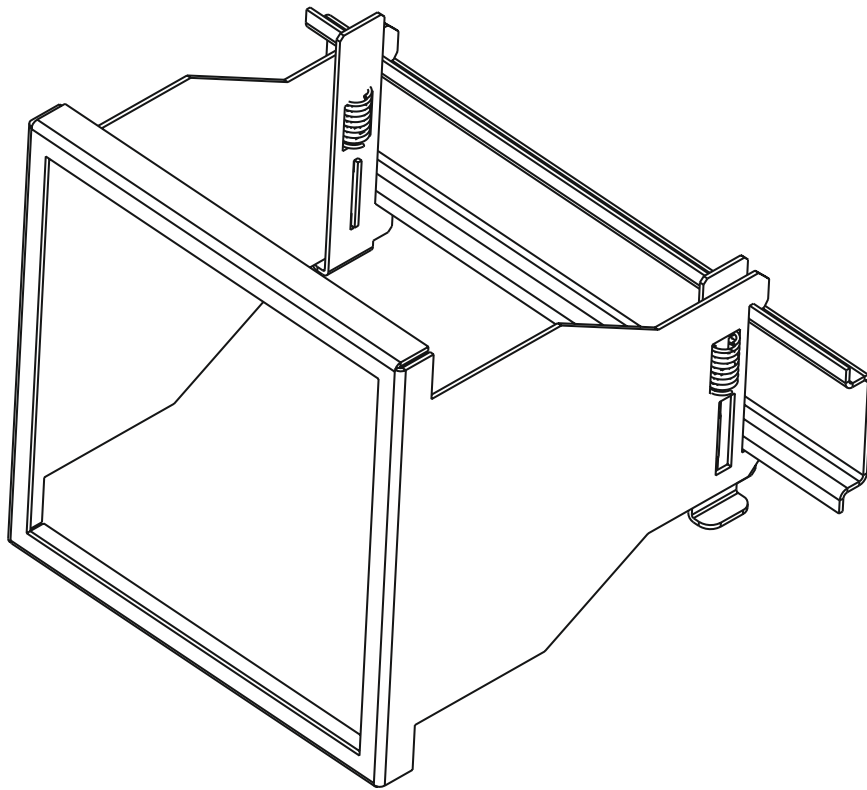




RISHABH

# MOUNTING KIT FOR DIN RAIL TS35

---



Measure



Control



Record



Analyze



Optimize

## Application :

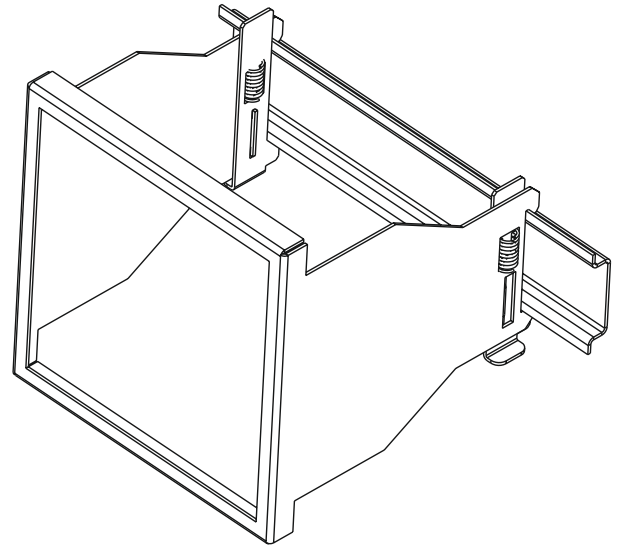
Designed for mounting of panel instruments on the DIN rail TS35.

## Product Features:

Easy and quick assembly and disassembly of adapter.

Construction is made of galvanized steel.

Available for products in the dementions of : 96 x 96mm



Mounting kit Dimensions (mm)	$^{+0.8} 92 \times 92$
Panel meter Dimensions (mm)	$^{+0.8} 96 \times 96$

## Fixing :

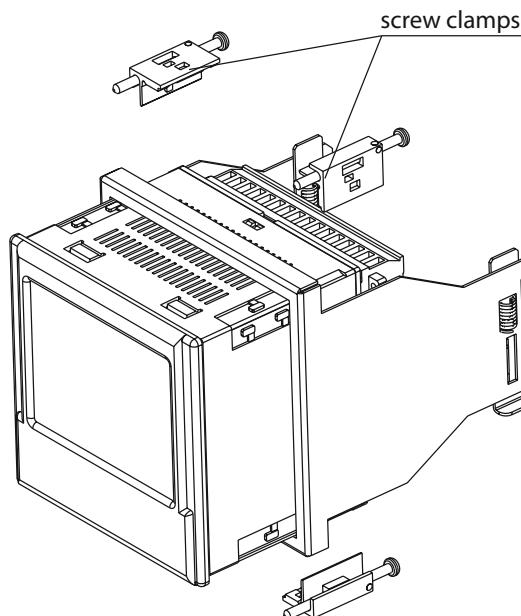


Fig 1. Fixing the panel meter into the mounting kit.



Measure



Control



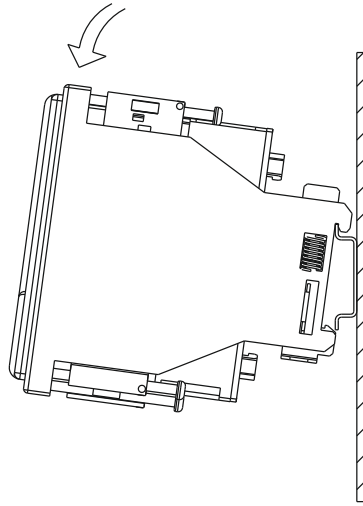
Record



Analyze

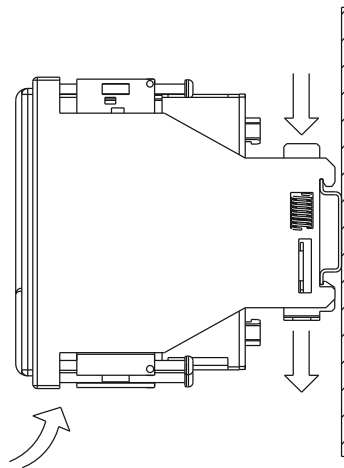


Optimize



**Fig 2. Fixing the sets on the DIN rail TS35.**

Mounting kit holder design allows for easy disassembly of the set. In order to do this, simultaneously press the two protruding parts (at the top or bottom of the holder) and by pivoting the set remove it from the rail (Figure 3).



**Fig 3. Disassembly of the set.**

## Order Code Example:

SPAR-SD00-0660 : MOUNTING KIT FOR DIN RAIL TS35.



Measure



Control



Record



Analyze



Optimize



RISHABH



Measure



Control



Record



Analyze



Optimize

## RISHABH INSTRUMENTS LIMITED

**Domestic (India):** +91 253 2202099 | [marketing@rishabh.co.in](mailto:marketing@rishabh.co.in)  
**International:** +91 253 2202004/06/08/99 | [global@rishabh.co.in](mailto:global@rishabh.co.in)  
[www.rishabh.co.in](http://www.rishabh.co.in)