



Data Sheet

Reverse Forward

Cam Switch



Measure



Control



Record

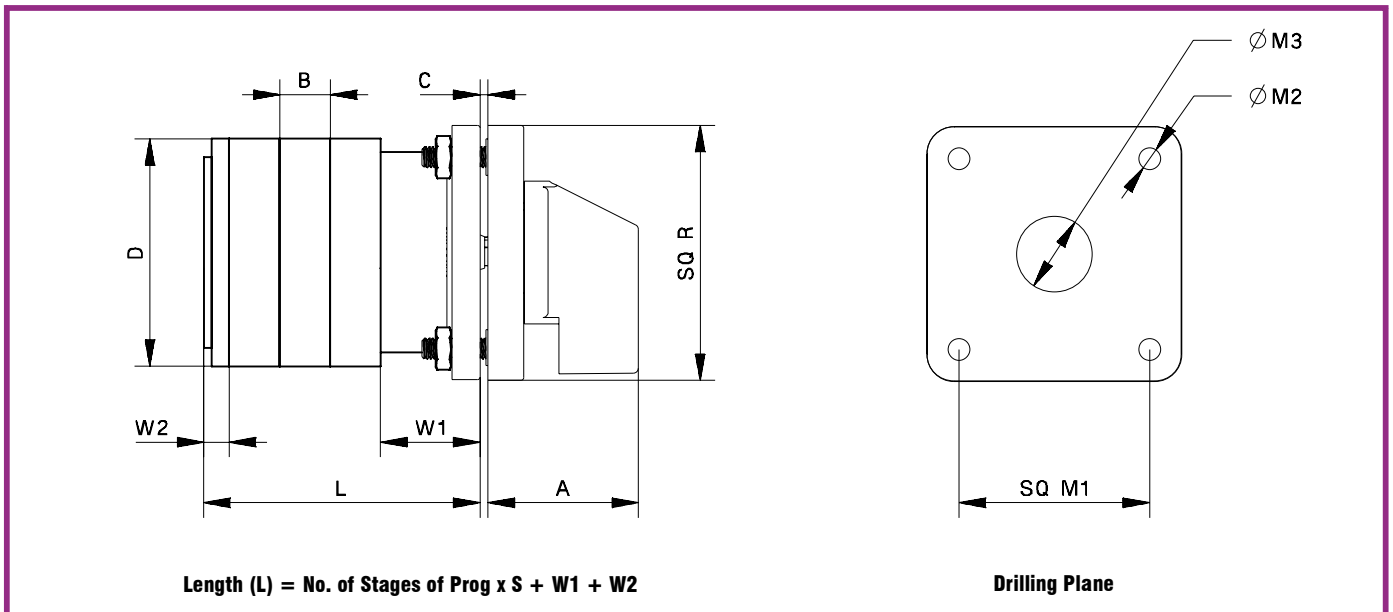


Analyze



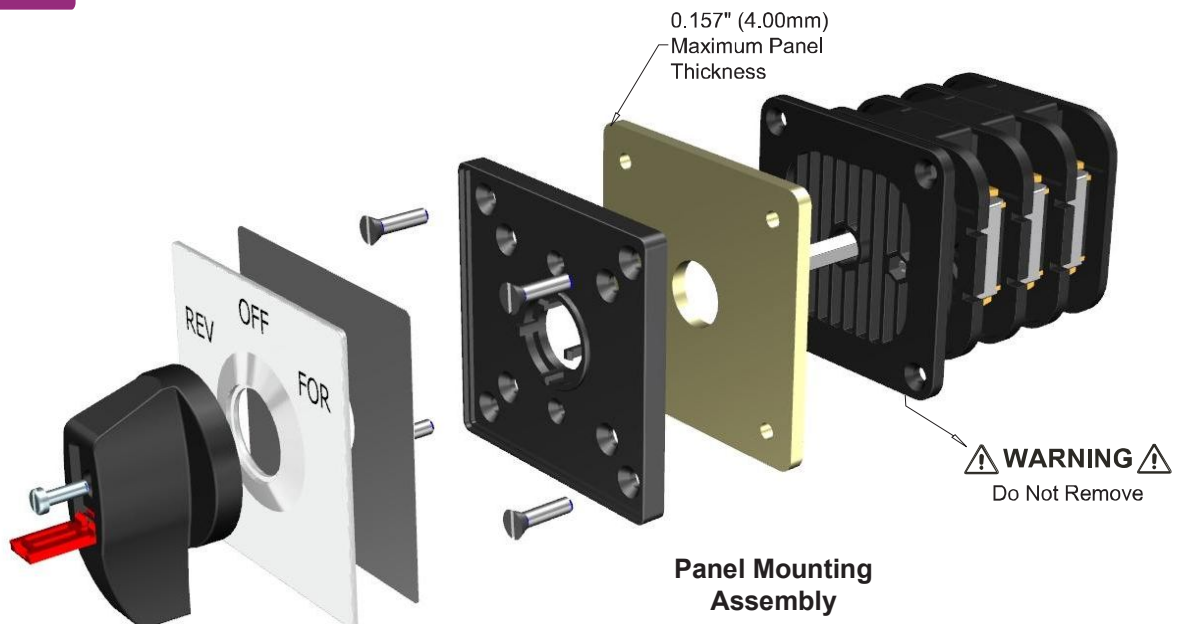
Optimize

Rotary Cam Switches Dimensional Details



TYPE	A	B	C	D	L	M1	M2	M3	R	W1	W2
Rish Cam 25A Reverse Forward	34	15	4	53	73	48	4	12	64	24	6
Rish Cam 32A Reverse Forward	34	15	4	53	73	48	4	12	64	24	6
Rish Cam 40A Reverse Forward	34	15	4	53	73	48	4	12	64	24	6
Rish Cam 63A Reverse Forward	42.4	30	4	53	73	68	5.5	18	88	19.5	13.5

Installation



All the dimensions are in mm.



Measure



Control



Record



Analyze



Optimize

Product Features

Compact Size:

Different contact design, contact material & terminal allows us to make them compact.

Reliable Design:

These switches are tested in various laboratories as per National and International standards for performance and user safety.

Quick & Easy to Install:

Self Lifting clamp screw across terminals makes installation quick and easy.

Safer Design:

Knob cover for knob screw to avoid direct metal contact. Higher rating wire can be used across terminals because of larger space for lugs in 63A Reverse Forward switch.

Ingress Protection:

IP50 Class of protection from front for user safety during normal operation.



Application

This switches have wide application in motor control for Forward Reverse of motor with 2pole & 3pole option.

Product Ranges

Sr. No.	Motor	Angle	Ampere Rating				No. of Stack
			25A	32A	40A	63A	
1	2 Pole	45D	✓	✓	✓	✓	2
		60D	✓	✓	✓	✓	
2	3 Pole	45D	✓	✓	✓	✓	3
		60D	✓	✓	✓	✓	



Measure



Control



Record



Analyze



Optimize

Technical Data

Conformance to standards :	Operating Conditions :	Switch Life :
European : IEC 60947-1 IEC 60947-3 IEC 60947-5	Frequency : 50/60 Hz Operating Temp. : -25 °C to 60 °C Over voltage category : III Storage : -40 °C to 80 °C Max. Altitude : 2000 m IP: 50 Front	Mechanical Life : 1 Lac operations @ 300 Cycles/hr Electrical Life : 10,000 operations @ 100% Rated duty at 120 cycles/hr Contacts : Double break type AgNi Double break type AgCdO
Indian : IS 13947-1/3/5		

Parameter	Unit	25A	32A	40A	63A	
Rated operational voltage (Ue)	V	690	690	690	690	
Rated Insulation voltage (Ui)	V	690	690	690	690	
Rated operational current (Ie)	A	25	32	40	63	
Conventional free air thermal current (Ith)	A	25	32	40	63	
Rated Impulse withstand voltage (Uimp)	KV	6	6	6	6	
Rated short time withstand current (Icw) (1s- Current)	A	300	384	480	756	
Rated Fuse short circuit current	KA	10	10	10	10	
Fuse size (Type gG /gM)	A	25	32	50	63	
AC-23A 3phase	220-240V	KW	4.7	5.5	7.5	11
Frequent switching of motors or other high inductive load.	380-440V	KW	7.5	11	15	18.5
	500V	A	-	-	-	-
	660-690V	KW	11	15	18.5	22
AC-23A 1phase	110V	KW	1.5	2.2	2.2	3
Frequent switching of motors or other high inductive load.	220-240V	KW	3	3.7	5.5	7.5
	380-440V	KW	5.5	7.5	7.5	11
AC-3 3phase	220-240V	KW	4.7	5.5	7.5	11
Direct on-line starting	380-440V	KW	7.5	11	15	18.5
	500V	KW	11	15	18.5	22
	600-690V	KW	11	15	18.5	22
AC-3 1phase	110V	KW	1.5	2.2	2.2	3
Direct on-line starting.	220-240V	KW	3	3.7	5.5	7.5
	380-440V	KW	5.5	7.5	7.5	11
AC-21A/AC1		A	25	32	40	63
AC-15	220-240V	A	8	14	16	16
Switching of control devices,Contactors.	380-440V	A	5	6	7	7
AC-4 3 phase	220-240V	KW	1.5	2.5	3.7	5.5
Direct on-line starting,Reversing,plugging and inching.	380-440V	KW	3	5.5	6	7.5
	500V	KW	3	5.5	6	7.5
	660-690V	KW	3	5.5	6	7.5
AC-4 1 phase	110-120V	KW	0.45	0.75	1.1	1.2
Direct on-line starting,Reversing,plugging and inching.	220-240V	KW	1.1	1.5	2.2	2.4
	380-440V	KW	2.2	3	3.7	4
Terminal cross -section						
Single / Multiple (Prepared with Lug)	Min	mm ²	2.5	2.5	4	4
	Max	mm ²	4	6	10	16
Fine strand with sleeve (Prepared with Lug)	Min	mm ²	1.5	1.5	2.5	2.5
	Max	mm ²	4	4	6	16
Terminal screw		Metric	M4	M4	M4	M4
Terminal tightening torque		Nm	1.2	1.2	1.2	1.2

* Rated short time withstand current (0.5s- current)



Measure



Control



Record



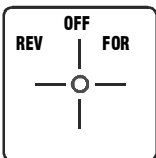
Analyze



Optimize

Ordering Information

CRFX	X	XX	X	X	XX	X	X	X	X	XX
CRF1-Reverse Forward										
Ampere Rating Code										
D : 25A	E									
E : 32A	F									
F : 40A	G									
G : 63A	G									
Positioning Angle										
45 :45 Degree		45								
60 :60 Degree		60								
Rotation Angle										
L:Less than 360 rotation Angle			L							
No of pole										
2 : 2 Pole				2						
3 : 3 Pole				3						
No of Ways					XX					
With OFF						O				
Knob Shape							F			
Front Plate Colour										
S: Silver Sheet & Black Knob								S		
Y: Yellow Sheet & Red Knob								Y		
Blank									0	
Customer Specification										00



Sr.No	Ordering Code	Description
1	CRF1-G60L3XXOFS000	Reverse forward 3P 60D 63A
2	CRF1-G60L2XXOFS000	Reverse forward 2P 60D 63A



Measure



Control



Record



Analyze



Optimize



RISHABH



Measure



Control



Record



Analyze



Optimize

RISHABH INSTRUMENTS LIMITED

Domestic (India): +91 253 2202099 | marketing@rishabh.co.in
International: +91 253 2202004/06/08/99 | global@rishabh.co.in

www.rishabh.co.in

www.rishabh.co.in