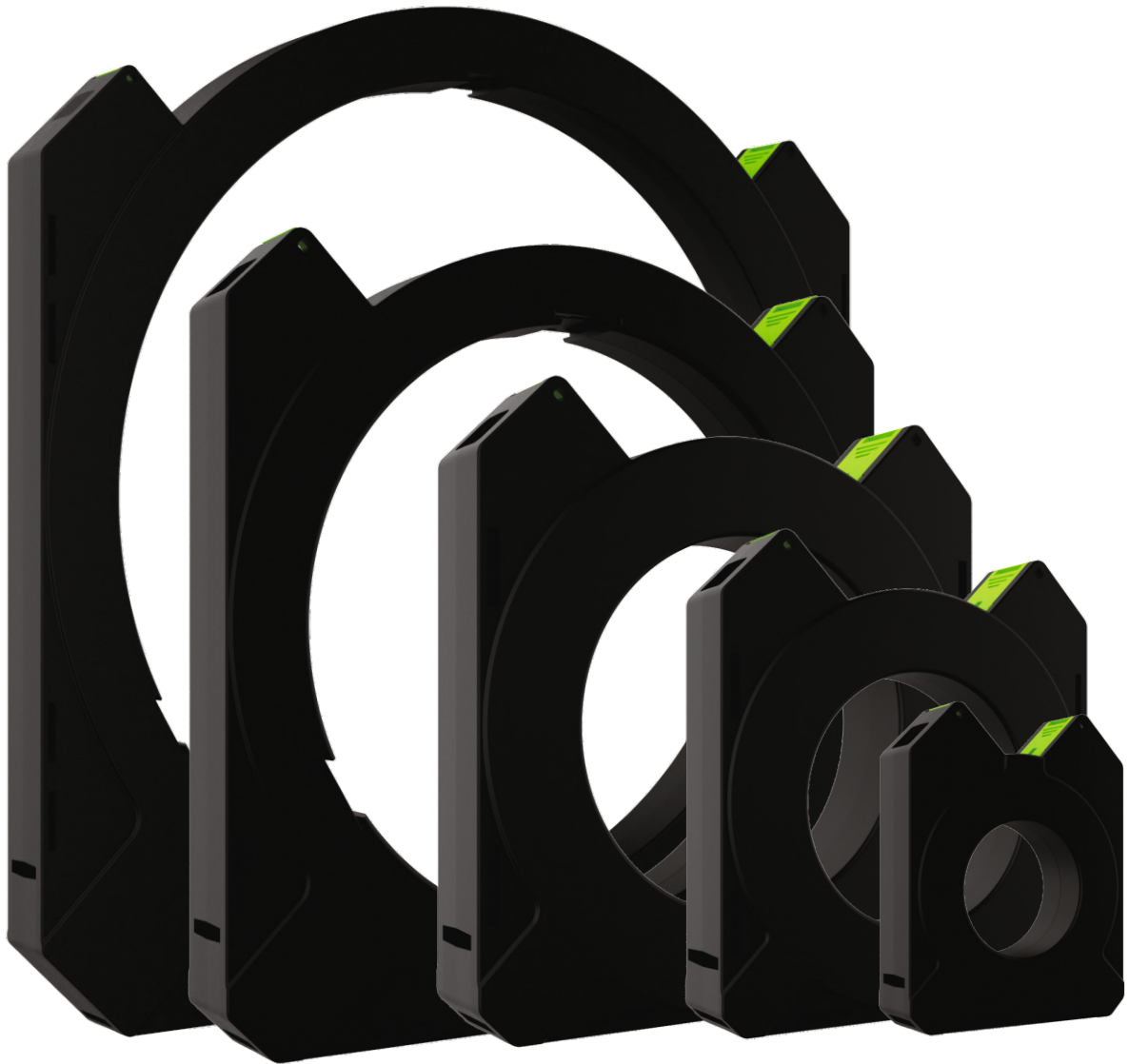




# Data Sheet

## Core Balance Current Transformer



Measure



Control



Record



Analyze



Optimize

### About Product :

- Conformity to Standard IEC 61869-1
- Compact design, Reliable and accurate.
- Designed to detect earth leakage current and transmit proportional signal o an Earth Leakage Relay.
- UL approved CBCT\*\*.
- Common wall mounting clamp or all sizes.
- Sealable cap for secondary terminal connections.  
(Maximum sealing wire diameter should be 1.8mm)

### Product Sizes and Weights:

Name	Size	Weight
RISH CBCT 38	38-71 (20)	0.12 Kg
RISH CBCT 57	57-97 (20)	0.15 Kg
RISH CBCT 70	70-109 (20)	0.18 Kg
RISH CBCT 120	120-153 (20)	0.29 Kg
RISH CBCT 210	210-250 (20)	0.51 Kg

### Characteristics:

<b>Insulation Coordination</b>	According to IEC 60664- 1
<b>Case</b>	Nylon 6, 20% GF, FR (30) Black
<b>Connection</b>	Screw type terminal connection
<b>a) Value</b>	M2.5, 0.4Nm
<b>b) Wire Range</b>	0.5 ~ 2.5mm <sup>2</sup> (suitable for pin type lug)
<b>CT Ratio</b>	600:1
<b>Maximum Operating Voltage (Um)</b>	0.72 kV Maximum
<b>Test Voltage</b>	3kV, 50 Hz for 1 minute
<b>Operating Frequency</b>	50/60 Hz
<b>Rated Primary Current (Ipr)</b>	30 mA- 30 A
<b>Rated Continuous Thermal Current (Icth)</b>	100 A
<b>Thermal Short Circuit Current (Ith)</b>	60 x Ipr
<b>Dynamic Short Circuit Current (Idyn)</b>	2.5 x Ith
<b>Ambient Temperature</b>	-25°C to 55°C
<b>Storage Temperature</b>	-50°C to 80°C
<b>Distance between ELR &amp; CBCT</b>	< 1 meter
<b>Accuracy Class</b>	3 & 15
<b>Secondary Terminal</b>	Protected to IP20

**\*\*CBCT with spring loaded connector available on request (without UL marking)**



Measure



Control



Record

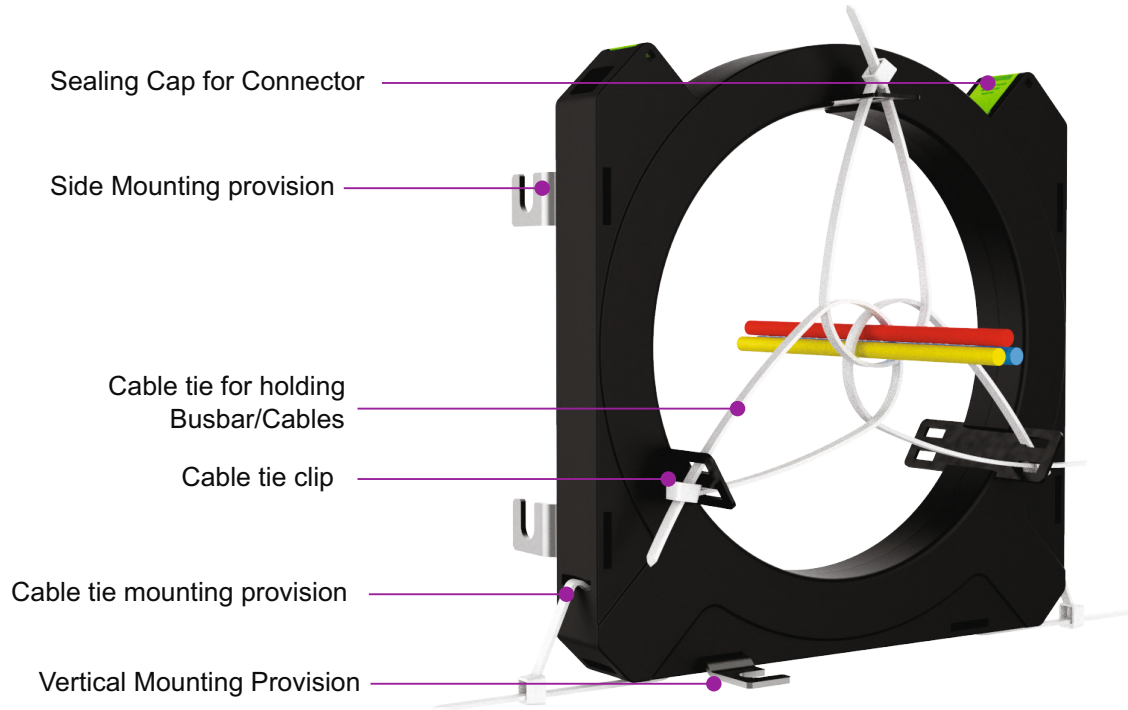


Analyze



Optimize

### Product Features:



Model / Features	Mounting clamp for vertical mounting	Mounting clamp for Horizontal mounting	Cable Tie for vertical mounting	Cable Tie Clip for Busbar Mounting	Terminal Cap
RISH CBCT 38	✓	✗	✓	✗	✓
RISH CBCT 57	✓	✓	✓	✗	✓
RISH CBCT 70	✓	✓	✓	✗	✓
RISH CBCT 120	✓	✓	✓	✓	✓
RISH CBCT 210	✓	✓	✓	✓	✓



Measure



Control



Record



Analyze

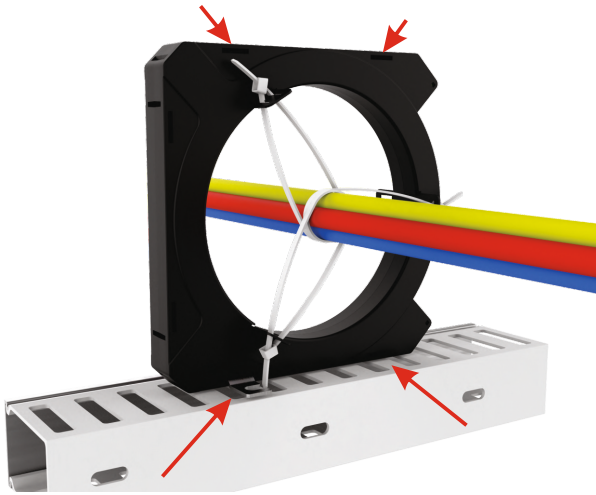


Optimize

### Product Features:

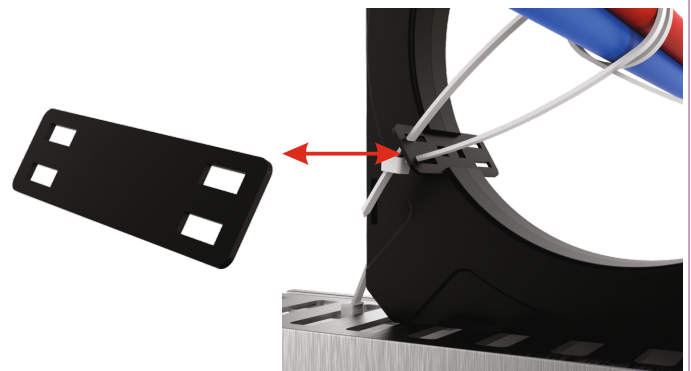
#### ► Cap for Connector

Protective cap for connectors on either side of the CT ensures that the terminal is well covered from external entities. The cap also contains provision for sealing.



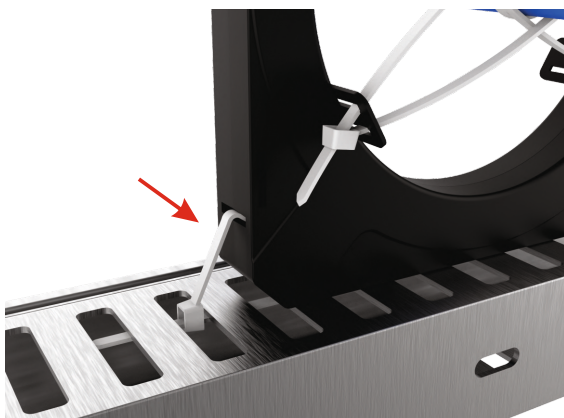
#### ◄ Side Mounting Provision

CBCT can be mounted both horizontally as well as vertically considering the practical challenges occurred while on site installation.



#### ► Cable tie Clips

Cable tie clips are located on the CT to ensure that the busbar/cable is centrally aligned so as to get absolute output. The Cable tie clip should be ordered separately



#### ◄ Vertical Cable Tie Mounting

Vertical mounting is basically provided in all categories of CT, although vertical mounting with the help of cable tie gives more flexibility while on site installation.



Measure



Control



Record

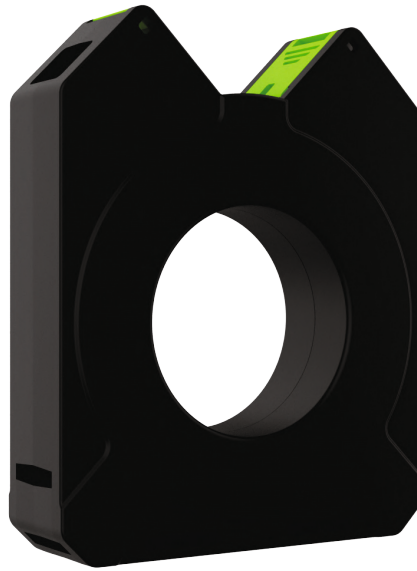


Analyze

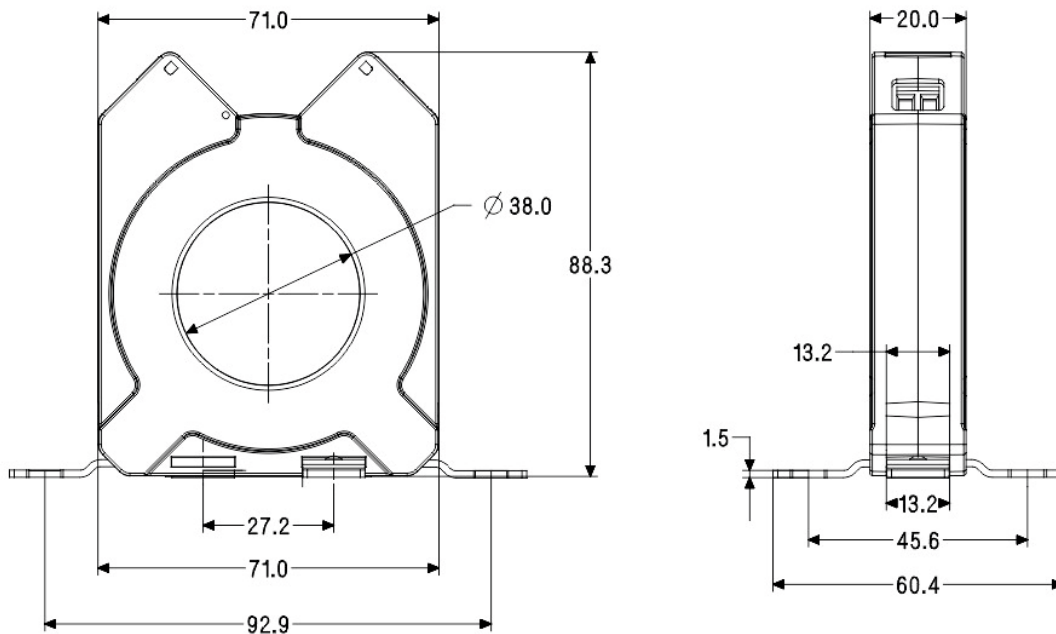


Optimize

RISH CBCT 38



DIMENSIONAL DETAILS:



Ordering Code

CB08-010100000000	CBCT 38/71/20 30MA-30A 600:1 CL3
CB08-010100200000	CBCT 38B/71/20 30MA-30A 600:1 CL15%
CB13-010100000000	CBCT 38/71 30MA-30A 600:1 CL3 spg.LC



Measure



Control



Record



Analyze

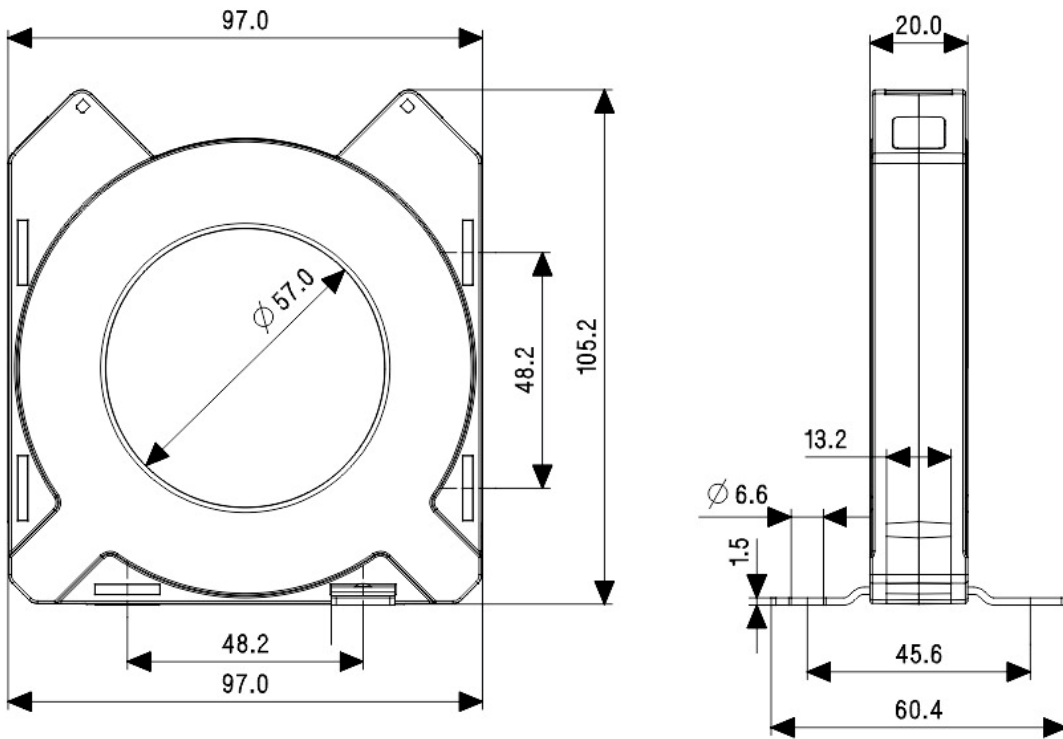


Optimize

RISH CBCT 57



DIMENSIONAL DETAILS:



Ordering Code

CB09-010100000000	CBCT 57/97/20 30MA-30A 600:1 CL3
CB09-010100200000	CBCT 57B/97/20 30MA-30A 600:1 CL15%
CB13-010100010000	CBCT 57/97 30MA-30A 600:1 CL3 spg.LC



Measure



Control



Record



Analyze

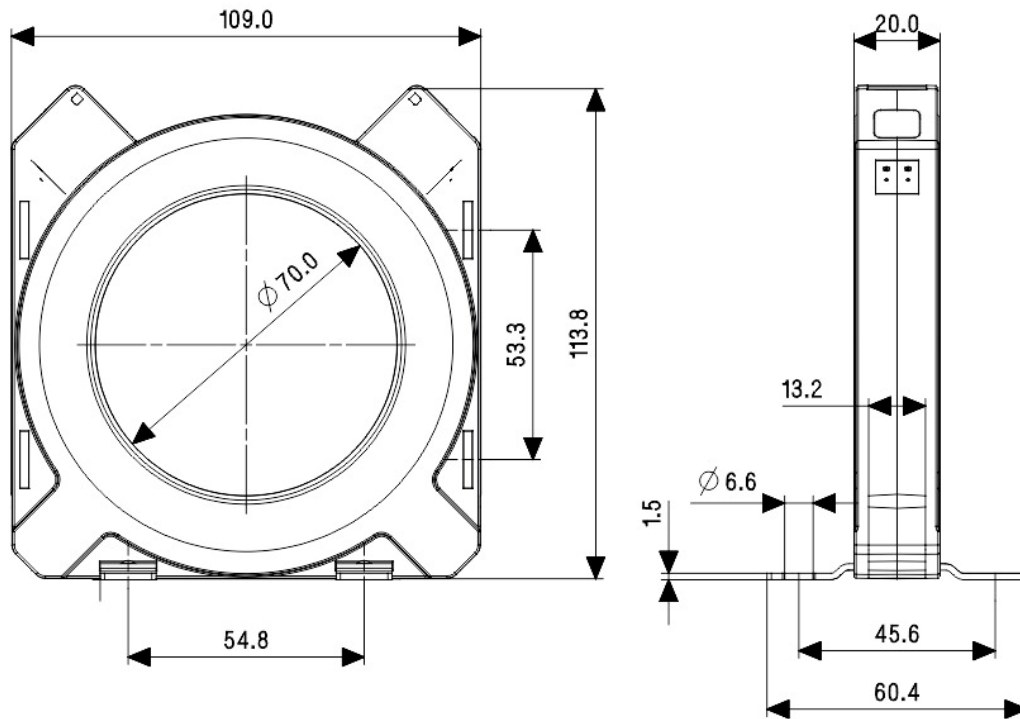


Optimize

RISH CBCT 70



DIMENSIONAL DETAILS:



Ordering Code

CB10-0101000000000	CBCT 70/109/20 30MA-30A 600:1 CL3
CB10-0101002000000	CBCT 70B/109/20 30MA-30A 600:1 CL15%
CB13-0101000200000	CBCT 70/109 30MA-30A 600:1 C13 spg.LC



Measure



Control



Record



Analyze

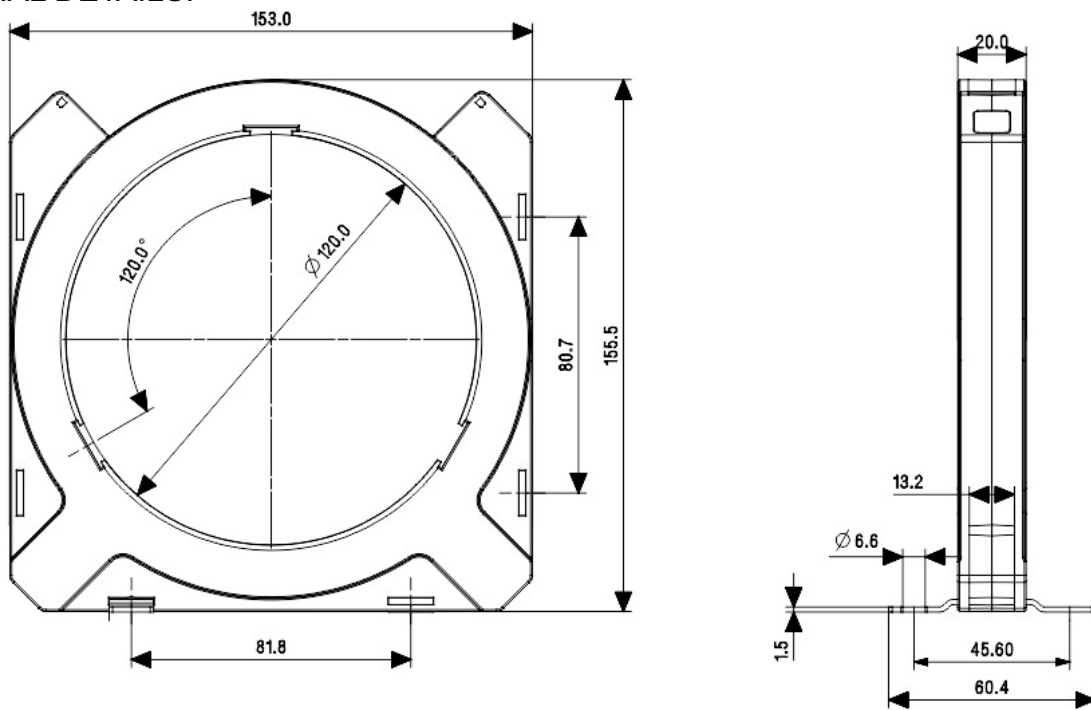


Optimize

RISH CBCT 120



DIMENSIONAL DETAILS:



Ordering Code

CB11-0101000000000	CBCT 120/153/20 30MA-30A 600:1 CL3
CB11-0101002000000	CBCT 120B/153/20 30MA-30A 600:1 CL15%
CB13-0101000300000	CBCT 120/153 30MA-30A 600:1 CL3 spg.LC



Measure



Control



Record



Analyze

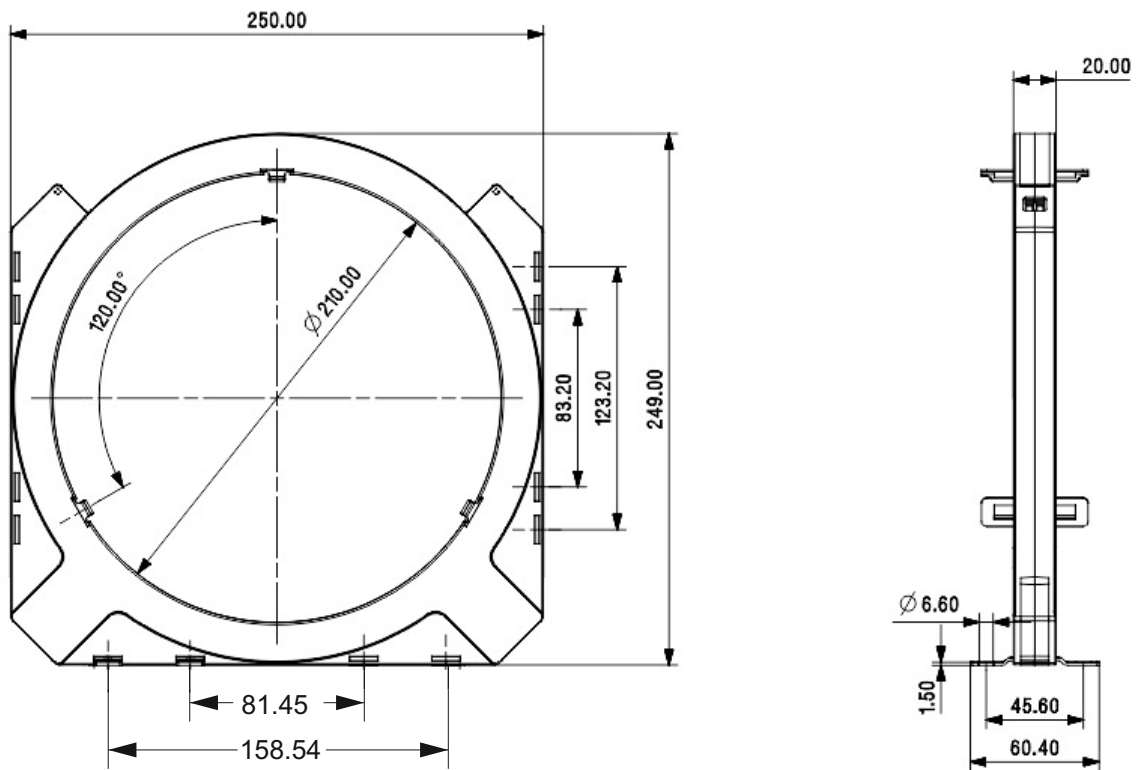


Optimize

RISH CBCT 210



DIMENSIONAL DETAILS:



Ordering Code

CB12-0101000000000	CBCT 210/250/20 30MA-30A 600:1 CL3
CB12-0101000100000	CBCT 210B/250/20 30MA-30A 600:1 CL15%
CB13-0101000400000	CBCT 210/250 30MA-30A 600:1 CL3 spg.LC



Measure



Control



Record



Analyze



Optimize



RISHABH



Measure



Control



Record



Analyze



Optimize