



RISHABH

Data Sheet

RISH Compact Split Core CT



Measure



Control



Record



Analyze



Optimize

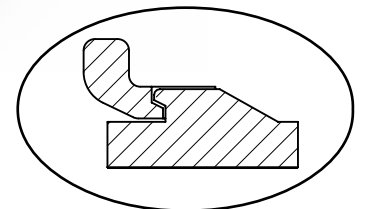
General specification

- # Applicable standard :- IEC 61869
- # Thermal nominal continuous rated current :- $1.2 \times I_n$
- # Thermal nominal short time current :- $60 \times I_n$, 1 Sec.
- # Maximum Operating Voltage :- 0.72 kV
- # Rated Frequency :- 50 Hz or 60 Hz
- # Insulation Test Voltage :- 3 kV, 1 Min.
- # Insulation Class:- E
- # Ambient temperature range:- -20 to +45°C
- # Storage temperature range:- -30 to +60°C
- # Ratios ranging from 60/1 to 500/5 .
- # Suitable only for mounting on insulated primary conductor.
- # To be used in weather protected & dry location.
- # Accuracy Class of 1 & 3 *



Features:

- # Hinged Split Core.
- # Swing open for ease of installation.
- # Compact size.
- # Two options for Bus Bar Mounting.
- # Cable Tie provision for faster installation.
- # Safety Plug in shorting link.
- # Available with M4 Size Terminals.
- # Provided with 3 Meter wire for 1A Output.
- # Provided with 1 Meter wire for 5A Output.
- # Wide range of system current ratings.
- # Assured Core contact with Latching Type Snap fitment.
- # Vibration Resistant Design.



Locking Profile to avoid Accidental Opening

* Used With Provided Cable & tighten with the torque of 2 Nm



Measure



Control



Record

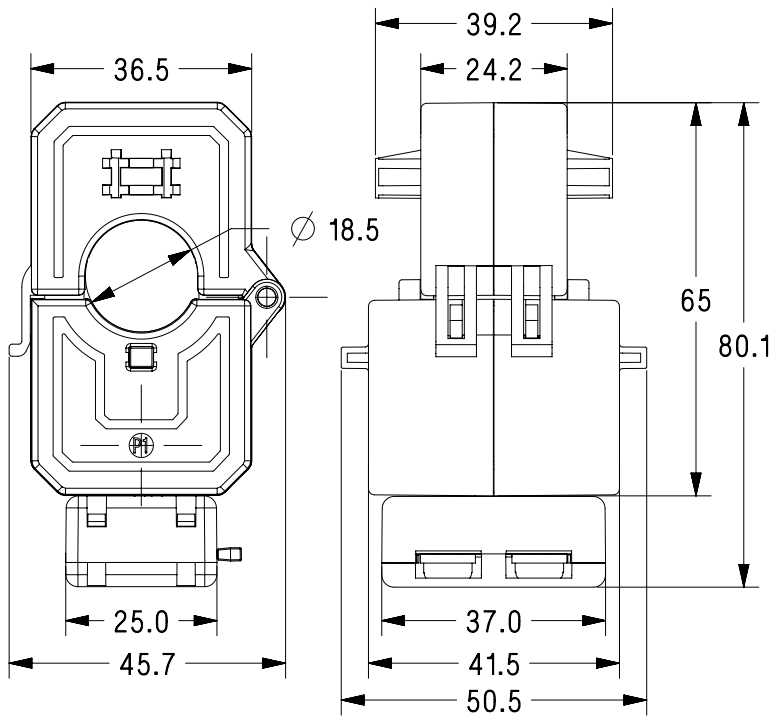


Analyze



Optimize

Compact Split CT 36-18



Compact SC 36/18				
Primary Current (A)	Secondary current 5A		Secondary current 1A	
	CL 3	CL 5	CL 3	CL 5
50	-	0.2 VA	-	0.2 VA
60	-	0.2 VA	0.4 VA	0.4 VA
75	-	0.2 VA	0.5 VA	0.5 VA
80	0.2 VA	0.2 VA	0.5 VA	0.5 VA
100	0.2 VA	0.2 VA	1.0 VA	1.0 VA
125	0.3 VA	0.3 VA	1.0 VA	1.0 VA
150	0.5 VA	0.5 VA	1.0 VA	1.0 VA

ALL DIMENSIONS ARE IN mm



Measure



Control



Record

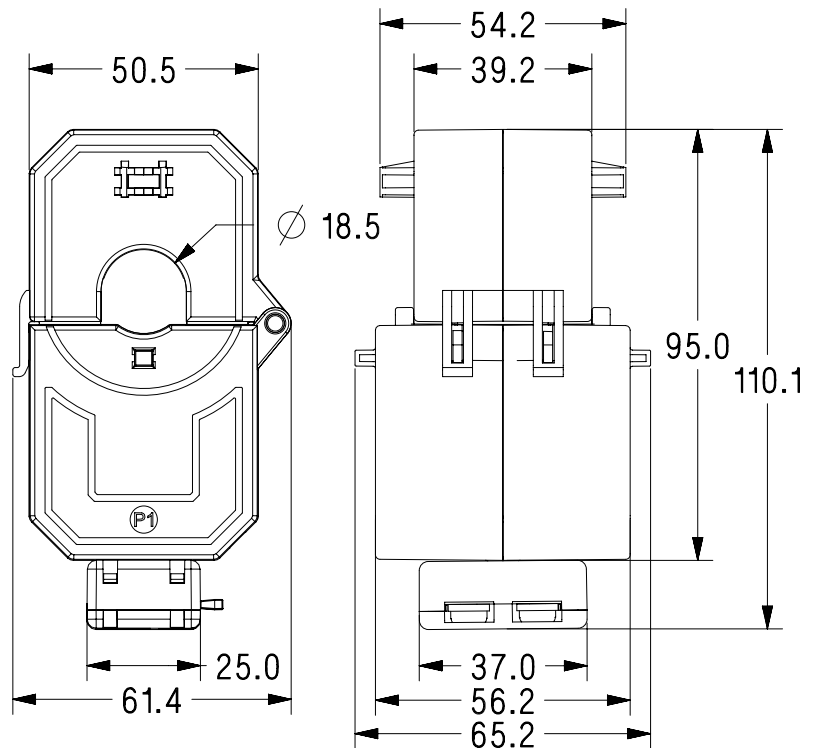


Analyze



Optimize

Compact Split CT 50-18



Compact SC 50/18

Primary Current (A)	Secondary current 5A			Secondary current 1A		
	CL 0.5	CL 1	CL 3	CL 0.5	CL 1	CL 3
100	-	0.5* VA	1.0 VA	-	0.3 VA	1.0 VA
125	-	0.5 VA	1.0 VA	-	0.5 VA	1.0 VA
150	-	1.0 VA	1.0 VA	-	1.0 VA	1.0 VA
200	-	1.5 VA	1.5 VA	0.2 VA	1.5 VA	1.5 VA
250	0.5 VA	2.0 VA	2.0 VA	0.5 VA	2.5 VA	2.5 VA
300	1.0 VA	3.75 VA	3.75 VA	1.0 VA	3.75 VA	3.75 VA

*Class 1 (phase angle < 2 degrees for 100A at 50% rated current)

ALL DIMENSIONS ARE IN mm



Measure



Control



Record

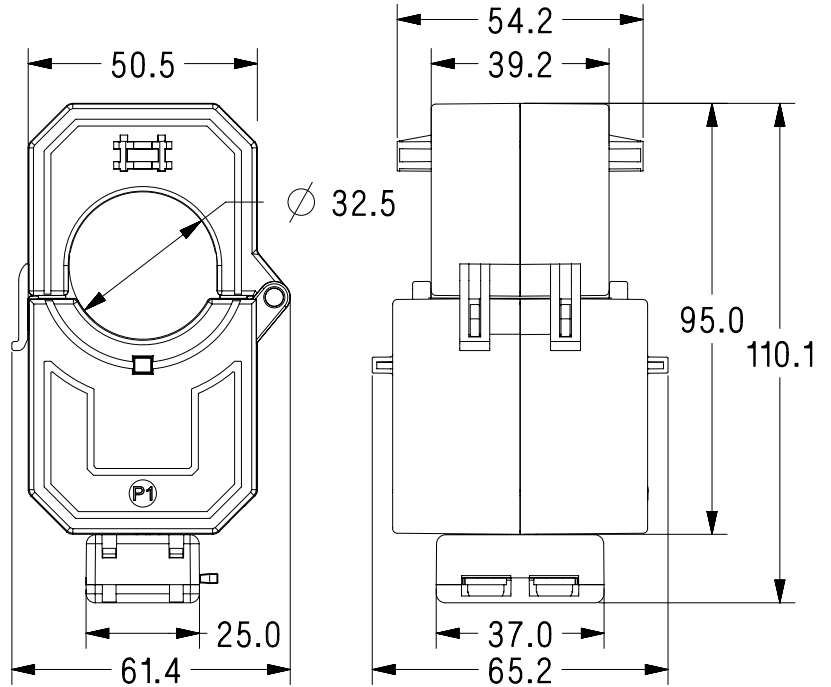


Analyze



Optimize

Compact Split CT 50-32



Compact SC 50/32

Primary Current (A)	Secondary current 5A			Secondary current 1A		
	CL 0.5	CL 1	CL 3	CL 0.5	CL 1	CL 3
100	-	-	0.2 VA	-	-	0.2 VA
125	-	-	0.2 VA	-	-	0.2 VA
150	-	-	0.4 VA	-	-	0.4 VA
200	-	0.2 VA	0.5 VA	-	0.2 VA	0.5 VA
250	-	0.5 VA	0.5 VA	-	0.5 VA	0.5 VA
300	-	1.0 VA	1.0 VA	-	1.0 VA	1.0 VA
400	-	1.5 VA	1.5 VA	0.5 VA	1.5 VA	1.5 VA
500	1.0 VA	1.75 VA	1.75 VA	1.0 VA	1.75 VA	1.75 VA
600	1.0 VA	2.5 VA	2.5 VA	1.0 VA	2.5 VA	2.5 VA

ALL DIMENSIONS ARE IN mm



Measure



Control



Record



Analyze



Optimize



RISHABH



Measure



Control



Record



Analyze



Optimize

RISHABH INSTRUMENTS LIMITED

Domestic (India): +91 253 2202099 | marketing@rishabh.co.in
International: +91 253 2202004/06/08/99 | global@rishabh.co.in

www.rishabh.co.in