



Data Sheet

Rish CT Lite



Measure



Control



Record



Analyze



Optimize

LV Current Transformers

Widely used in switchboard applications by Engineering, Construction, and Power companies, Rish lite series of LV Current Transformers are the result of manufacturing expertise. Rish lite range of Current transformers are Economical, Good Quality, compact design to IEC Standard.

GENERAL SPECIFICATIONS :

Applicable standard :	IEC 61869, IS16227
Case :	Engineering grade plastic - Nylon
Insulation :	Class E (120 Deg. C max)
System voltage :	720V maximum
Operating frequency :	50Hz / 60Hz
Rated Primary rating :	100A to 3200A
Rated secondary output :	5A standard (1A on request)
Rated burden :	1, 1.25, 1.5, 2.5, 3.75, 5, 7.5, 10, 12.5, 15, 20, 25VA
Class of accuracy :	0.5, 1
Ambient temperature :	-25 Deg. C to +40 Deg. C
Storage temperature :	-50 Deg. C to +80 Deg. C
Thermal short circuit current (Ith) :	60 x In
Dynamic short circuit current (Idyn) :	2.5 x Ith
Instrument security factor (FS) :	5, 10, 15, 20

FEATURES :

- **Wide range of system current ratings** – Suitable for diverse applications
- **Wire-sealable terminal cover** – Ensures safety and tamper proof terminals
- **Versatile mounting options** – Supports both wall and busbar mounting
- **Durable engineering-grade plastic** Made of high-quality nylon for enhanced durability
- **Removable secondary terminals** – Enables easy connection with ring-type lugs
- **Flexible Installation Provision** - Suitable for both DIN rail and wall mounting
- **Clear directional marking** – Engraved arrow indicating primary current direction for hassle-free installation



Measure



Control



Record

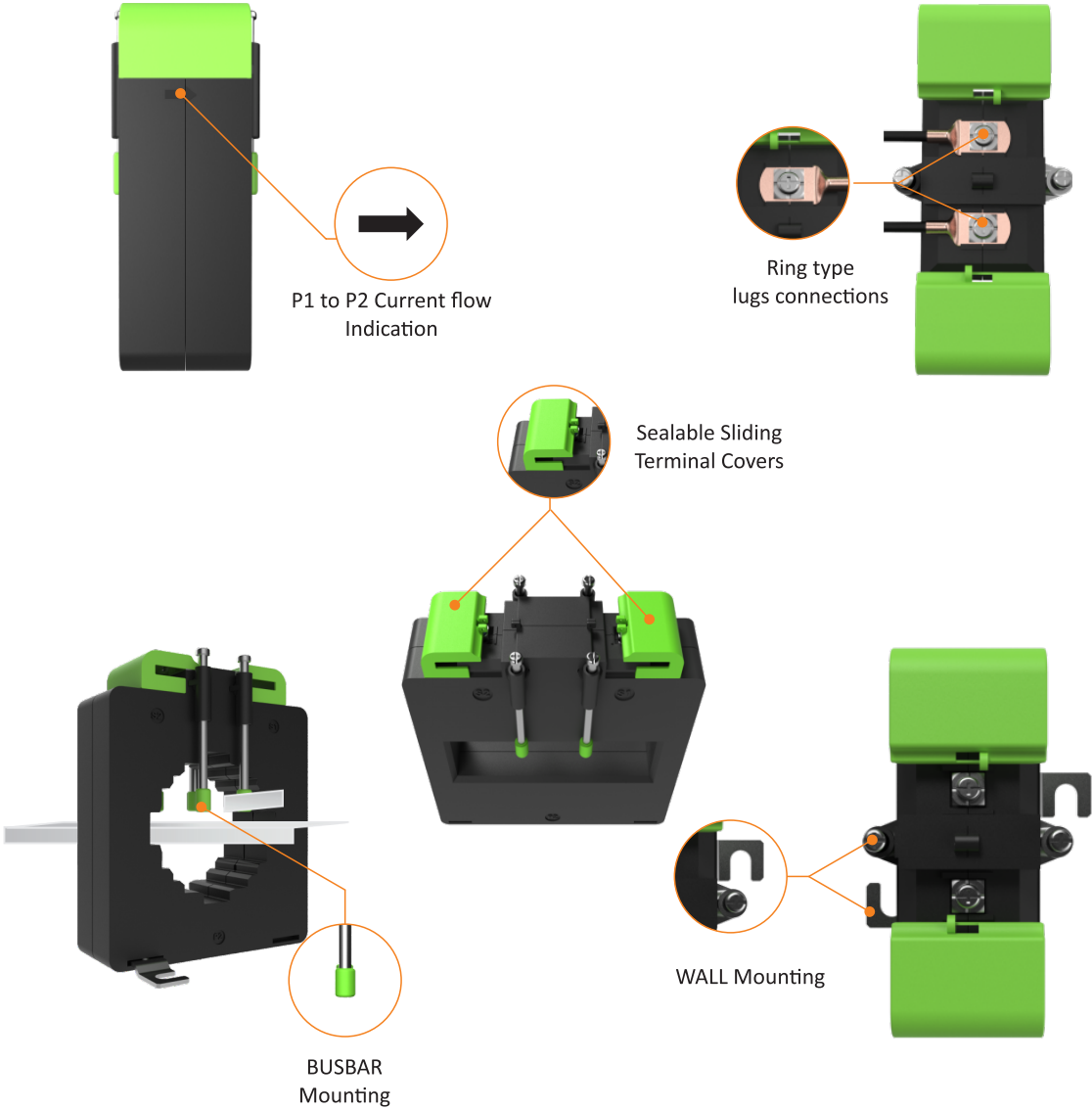


Analyze



Optimize

Product Features



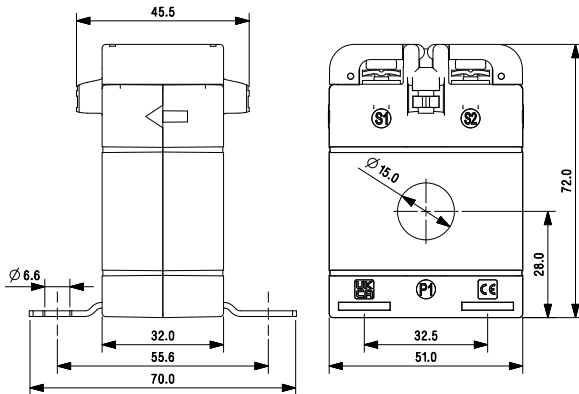
Measure Control Record Analyze Optimize

RISH CT Lite AS5x SERIES



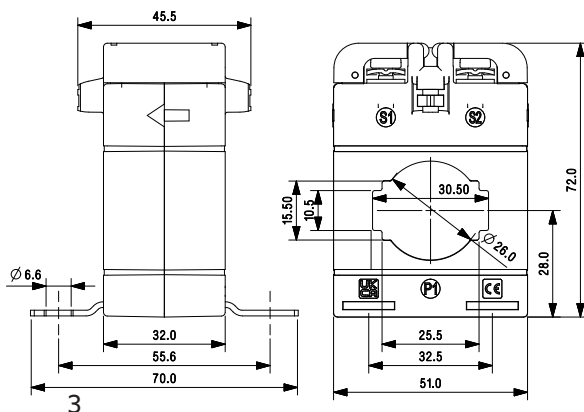
CT Model	AS51	AS53
Cable Hole Dia (Ø)	15mm	26mm
Max Busbar Size (mm)	—	30.5 x 10.5
Dimension (mm)	72 x 51 x 32 (H x W x Depth)	
Primary Current	100A to 300A	120A to 600A
Secondary Current	1A, 5A	
Accuracy Class	0.5 or 1	
Mounting Options	Wall mounting & Busbar mounting	

RISH CT Lite AS51



Code No.	Accuracy Class	0.5	1
	Primary Current	Max VA	Max VA
AS51-100	100A	1	1.5
AS51-120	120A	1	2.5
AS51-125	125A	1.25	2.5
AS51-150	150A	1.5	3.75
AS51-200	200A	1.75	3.75
AS51-250	250A	3.75	5
AS51-300	300A	5	5

RISH CT Lite AS53



Code No.	Accuracy Class	0.5	1
	Primary Current	Max VA	Max VA
AS53-120	120A	-	1
AS53-125	125A	-	1
AS53-150	150A	-	1.5
AS53-200	200A	1	2.5
AS53-250	250A	1.5	2.5
AS53-300	300A	1.5	2.5
AS53-400	400A	1.5	2.5
AS53-500	500A	3.75	5
AS53-600	600A	5	5



Measure



Control



Record



Analyze



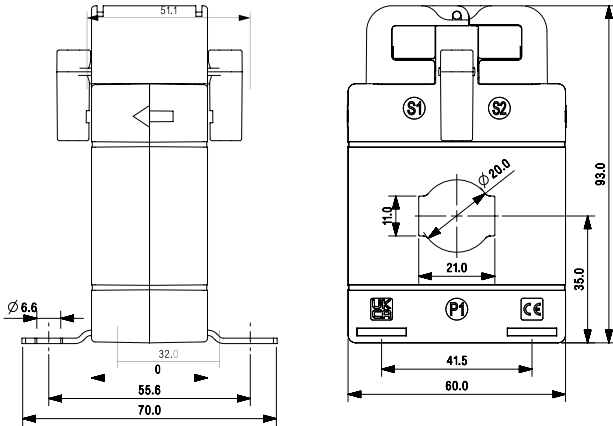
Optimize

RISH CT Lite A6x SERIES



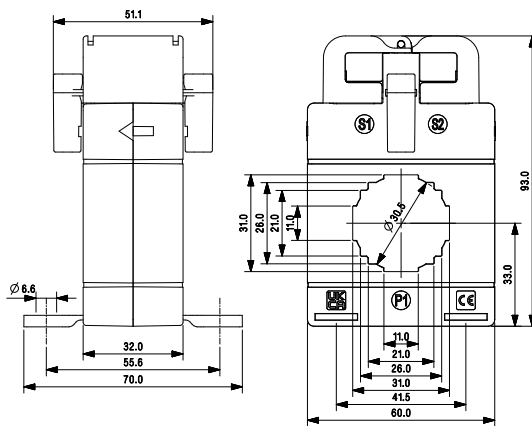
CT Model	A62	A63
Cable Hole Dia (Ø)	—	30.5mm
Max Busbar Size (mm)	20.5 x 12.5	31 x 11
Dimension (mm)	93 x 60 x 32 (H x W x Depth)	
Primary Current	100A to 500A	100A to 800A
Secondary Current	1A, 5A	
Accuracy Class	0.5 or 1	
Mounting Options	Wall mounting & Busbar mounting	

RISH CT Lite A62



Code No.	Accuracy Class	0.5	1
	Primary Current	Max VA	Max VA
A62-100	100A	-	1
A62-120	120A	-	1.25
A62-125	125A	-	1.25
A62-150	150A	1	2.5
A62-200	200A	1.5	3.75
A62-250	250A	2.5	5
A62-300	300A	3.75	6.25
A62-400	400A	5	7.5
A62-500	500A	7.5	10

RISH CT Lite A63



Code No.	Accuracy Class	0.5	1
	Primary Current	Max VA	Max VA
A63-100	100A	-	1
A63-120	120A	-	1.25
A63-125	125A	-	1.5
A63-150	150A	1	2.5
A63-200	200A	1.25	3.75
A63-250	250A	1.5	3.75
A63-300	300A	2.5	5
A63-400	400A	3.75	6.25
A63-500	500A	5	7.5
A63-600	600A	5	10
A63-750	750A	7.5	10
A63-800	800A	7.5	10



Measure



Control



Record

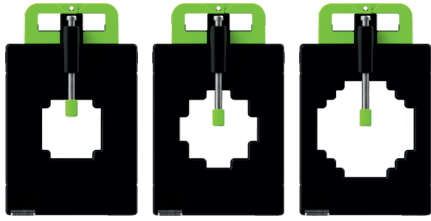


Analyze



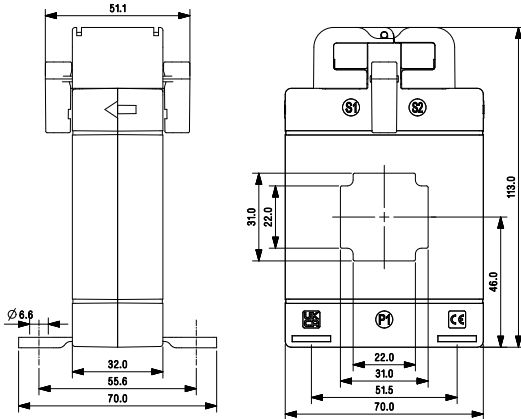
Optimize

RISH CT Lite A7x SERIES



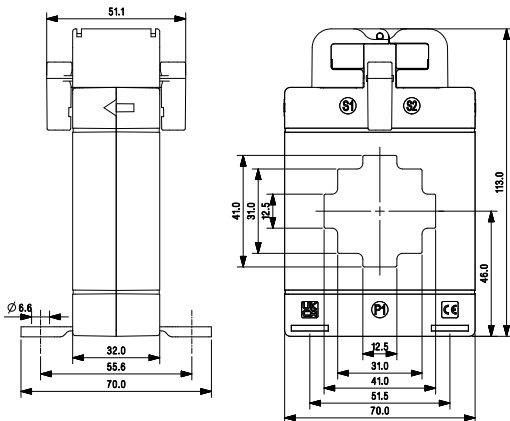
CT Model	A73	A74	A75
Cable Hole Dia (Ø)	31mm	33mm	43mm
Max Busbar Size (mm)	31 x 22	41 x 12.5	51 x 22
Dimension (mm)	113 x 70 x 32 (H x W x Depth)		
Primary Current	100A to 800A	200A to 1000A	250A to 1000A
Secondary Current	1A, 5A		
Accuracy Class	0.5 or 1		
Mounting Options	Wall mounting & Busbar mounting		

RISH CT Lite A73



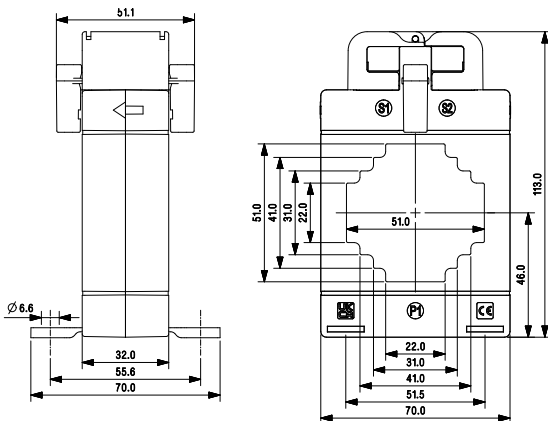
Code No.	Accuracy Class	0.5	1
	Primary Current	Max VA	Max VA
A73-100	100A	-	1
A73-125	125A	-	1
A73-150	150A	1	2.5
A73-200	200A	2.5	5
A73-250	250A	3.75	7.5
A73-300	300A	5	10
A73-400	400A	7.5	15
A73-500	500A	10	15
A73-600	600A	10	15
A73-750	750A	15	15
A73-800	800A	15	15

RISH CT Lite A74



Code No.	Accuracy Class	0.5	1
	Primary Current	Max VA	Max VA
A74-200	200A	1	2.5
A74-250	250A	1.5	2.5
A74-300	300A	3.75	5
A74-400	400A	5	5
A74-500	500A	5	7.5
A74-600	600A	5	7.5
A74-750	750A	7.5	10
A74-800	800A	7.5	10
A74-1000	1000A	7.5	10

RISH CT Lite A75



Code No.	Accuracy Class	0.5	1
	Primary Current	Max VA	Max VA
A75-250	250A	1	2.5
A75-300	300A	1	2.5
A75-400	400A	1	3.75
A75-500	500A	1	3.75
A75-600	600A	1	3.75
A75-750	750A	2.5	5
A75-800	800A	2.5	5
A75-1000	1000A	3.75	7.5



Measure



Control



Record

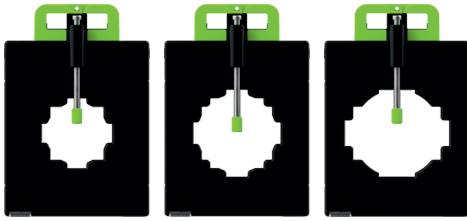


Analyze



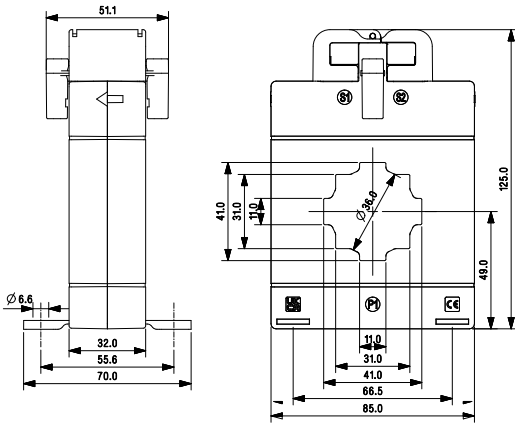
Optimize

RISH CT Lite A8x SERIES



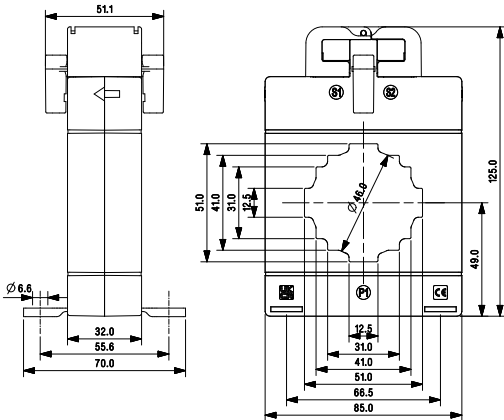
CT Model	A84	A85	A86
Cable Hole Dia (Ø)	36mm	46mm	51mm
Max Busbar Size (mm)	41 x 11	51 x 12.5	61 x 15
Dimension (mm)	125 x 85 x 32 (H x W x Depth)		
Primary Current	120A to 1000A	250A to 1250A	300A to 1600A
Secondary Current	1A, 5A		
Accuracy Class	0.5 or 1		
Mounting Options	Wall mounting & Busbar mounting		

RISH CT Lite A84



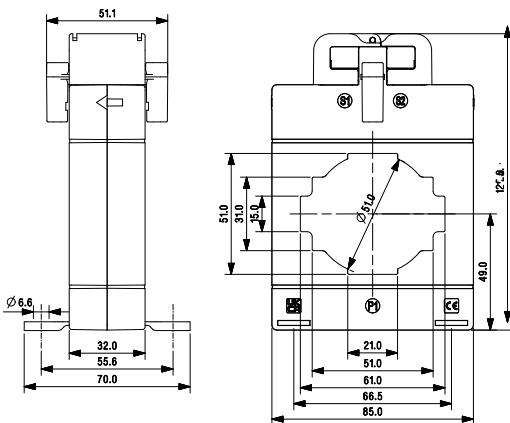
Code No.	Accuracy Class	0.5	1
	Primary Current	Max VA	Max VA
A84-120	120A	-	1.5
A84-125	125A	1	1.5
A84-150	150A	1.5	2.5
A84-200	200A	2.5	5
A84-250	250A	3.75	7.5
A84-300	300A	5	7.5
A84-400	400A	7.5	10
A84-500	500A	15	15
A84-600	600A	15	15
A84-750	750A	15	15
A84-800	800A	15	20
A84-1000	1000A	20	25

RISH CT Lite A85



Code No.	Accuracy Class	0.5	1
	Primary Current	Max VA	Max VA
A85-250	250A	2.5	5
A85-300	300A	3.75	7.5
A85-400	400A	5	15
A85-500	500A	7.5	15
A85-600	600A	10	15
A85-750	750A	15	15
A85-800	800A	15	20
A85-1000	1000A	20	20
A85-1200	1200A	20	20
A85-1250	1250A	20	20

RISH CT Lite A86



Code No.	Accuracy Class	0.5	1
	Primary Current	Max VA	Max VA
A86-300	300A	1.5	3.75
A86-400	400A	3.75	7.5
A86-500	500A	5	7.5
A86-600	600A	7.5	10
A86-750	750A	7.5	10
A86-800	800A	10	10
A86-1000	1000A	10	15
A86-1200	1200A	15	15
A86-1250	1250A	15	15
A86-1500	1500A	15	15
A86-1600	1600A	15	15



Measure



Control



Record



Analyze



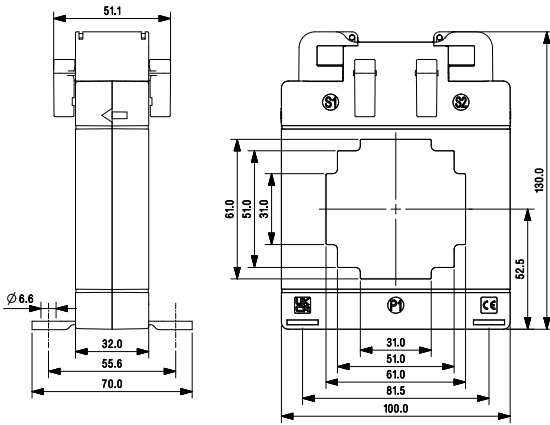
Optimize

RISH CT Lite A10x SERIES



CT Model	A106
Cable Hole Dia (Ø)	58mm
Max Busbar Size (mm)	61 x 31
Dimension (mm)	130 x 100 x 32 (H x W x Depth)
Primary Current	200A to 1600A
Secondary Current	1A, 5A
Accuracy Class	0.5 or 1
Mounting Options	Wall mounting & Busbar mounting

RISH CT Lite A106



Code No.	Accuracy Class Primary Current	0.5	1
		Max VA	Max VA
A106-200	200A	1	2.5
A106-250	250A	1	2.5
A106-300	300A	2.5	5
A106-400	400A	5	10
A106-500	500A	10	15
A106-600	600A	15	15
A106-750	750A	15	15
A106-800	800A	15	15
A106-1000	1000A	15	20
A106-1200	1200A	15	20
A106-1250	1250A	15	20
A106-1500	1500A	15	20
A106-1600	1600A	15	20



Measure



Control



Record

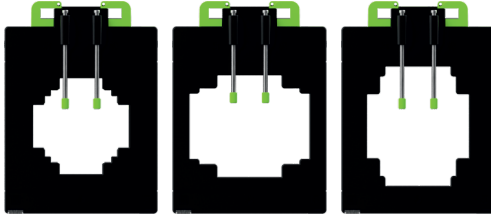


Analyze



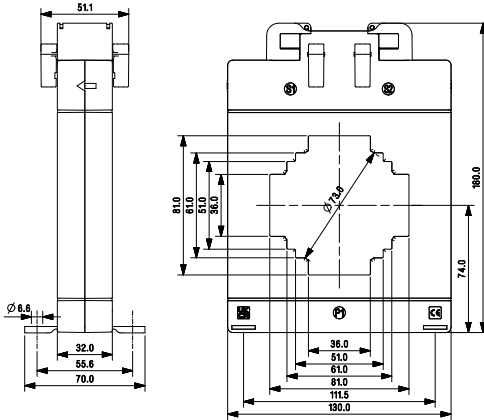
Optimize

RISH CT Lite A13x SERIES



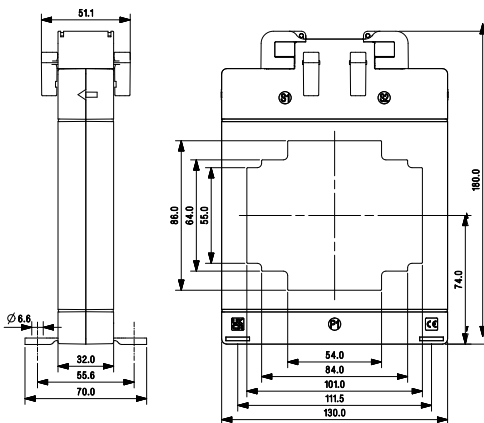
CT Model	A138	A1310H	A1310V
Cable Hole Dia (Ø)	73mm	83mm	83mm
Max Busbar Size (mm)	81 x 36	101 x 55	55 x 101
Dimension (mm)	180 x 130 x 32 (H x W x Depth)		
Primary Current	400A to 2000A	600A to 3200A	600A to 3200A
Secondary Current	1A, 5A		
Accuracy Class	0.5 or 1		
Mounting Options	Wall mounting & Busbar mounting		

RISH CT Lite A138



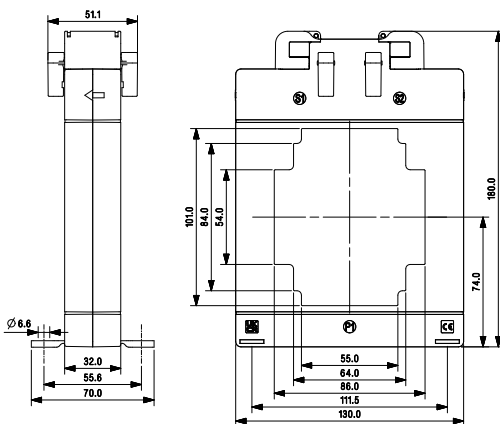
Code No.	Accuracy Class	0.5	1
	Primary Current	Max VA	Max VA
A138-400	400A	1.5	5
A138-500	500A	5	7.5
A138-600	600A	5	10
A138-630	630A	5	10
A138-750	750A	10	15
A138-800	800A	10	15
A138-1000	1000A	10	15
A138-1250	1250A	10	15
A138-1500	1500A	10	15
A138-1600	1600A	15	20
A138-2000	2000A	15	20

RISH CT Lite A1310H



Code No.	Accuracy Class	0.5	1
	Primary Current	Max VA	Max VA
A1310H-600	600A	5	10
A1310H-630	630A	5	10
A1310H-750	750A	5	10
A1310H-800	800A	7.5	10
A1310H-1000	1000A	10	15
A1310H-1250	1250A	15	15
A1310H-1500	1500A	15	15
A1310H-1600	1600A	15	15
A1310H-2000	2000A	15	20
A1310H-2400	2400A	15	20
A1310H-2500	2500A	15	20
A1310H-3000	3000A	15	20
A1310H-3200	3200A	20	20

RISH CT Lite A1310V



Code No.	Accuracy Class	0.5	1
	Primary Current	Max VA	Max VA
A1310V-600	600A	5	10
A1310V-630	630A	5	10
A1310V-750	750A	5	10
A1310V-800	800A	7.5	10
A1310V-1000	1000A	10	15
A1310V-1250	1250A	15	15
A1310V-1500	1500A	15	15
A1310V-1600	1600A	15	15
A1310V-2000	2000A	15	20
A1310V-2400	2400A	15	20
A1310V-2500	2500A	15	20
A1310V-3000	3000A	15	20
A1310V-3200	3200A	20	20



Measure



Control



Record



Analyze



Optimize



All specifications are subject to change without notice



Measure



Control



Record



Analyze



Optimize

RISHABH INSTRUMENTS LIMITED

Domestic (India): +91 253 2202099 | marketing@rishabh.co.in

www.rishabh.co.in