



LTRC SERIES



Measure



Control



Record



Analyze



Optimize

## General specification

# Applicable standard :- IEC 61869-1 & 2

# Case :- Epoxy Resin Cast

# Insulation class :- E (120°C max)

# Test voltage :- 3KV 50 Hz for 1 minute.

# Operating frequency :- 50Hz

# Rated Primary current :- 60 A to 5000A

# Rated secondary current :- 5A

# Continuous current :-1.2X Rated current

# Rated system voltage :- 0.72/3KV

# Ambient temperature range:- -20 to +45°C

# Storage temperature range:- -50 to +80°C

#Accuracy Class:- 0.5, 1.0

## Features:

# Compact size.

# Wide range of system current Ratings.

# Transparent terminal cover.

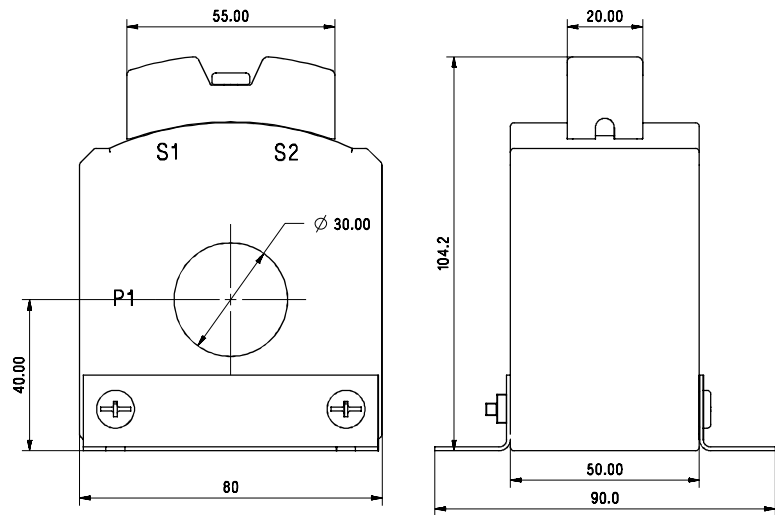
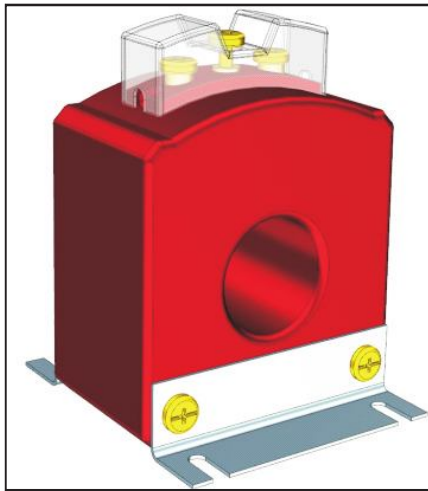
# Wall mounting.

# Terminal with self lifting screw.



## RISH *LTRC-1* SERIES

*LTRC-1* 80/30(50)



*LTRC-1* 80/30 (50)

Secondary 5A			Secondary 1A		
RATIO	VA	CLASS	RATIO	VA	CLASS
60/5	1.5	1	60/1	1.5	1
100/5	5	1	100/1	5	1
125/5	5	1	125/1	5	1
150/5	5	1	150/1	5	1
160/5	5	1	160/1	5	1
100/5	2.5	0.5	100/1	2.5	0.5
125/5	2.5	0.5	125/1	2.5	0.5
150/5	3.75	0.5	150/1	3.75	0.5
160/5	3.75	0.5	160/1	3.75	0.5

ALL DIMENSIONS ARE IN mm



Measure



Control



Record



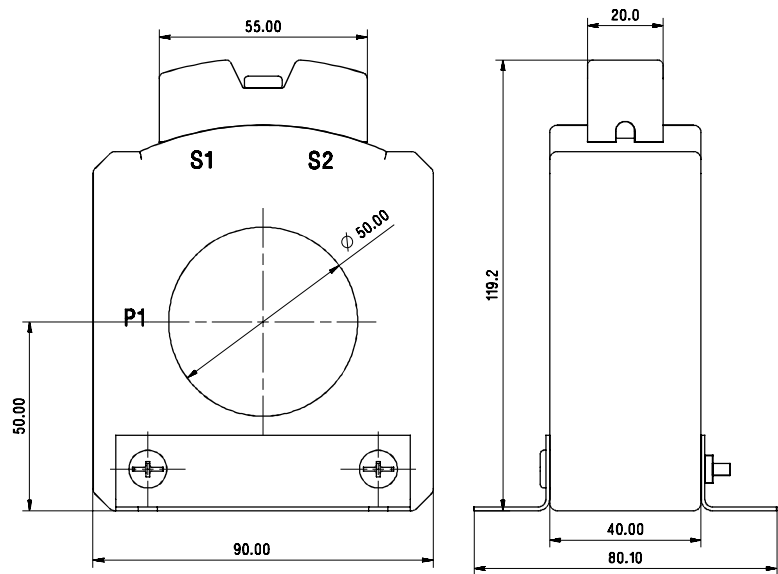
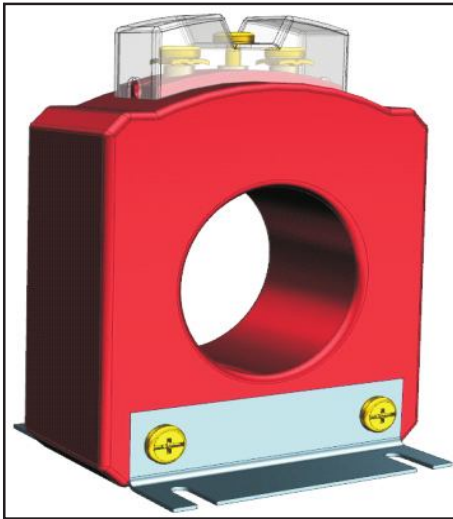
Analyze



Optimize

## RISH *LTRC-2* SERIES

*LTRC-2* 90/50(40)



*LTRC-2* 90/50 (40)

Secondary 5A			Secondary 1A		
RATIO	VA	CLASS	RATIO	VA	CLASS
200/5	7.5	1	200/1	7.5	1
250/5	10	1	250/1	10	1
300/5	10	1	300/1	10	1
320/5	10	1	320/1	10	1
200/5	3.75	0.5	200/1	3.75	0.5
250/5	3.75	0.5	250/1	3.75	0.5
300/5	5	0.5	300/1	5	0.5
320/5	5	0.5	320/1	5	0.5

ALL DIMENSIONS ARE IN mm



Measure



Control



Record



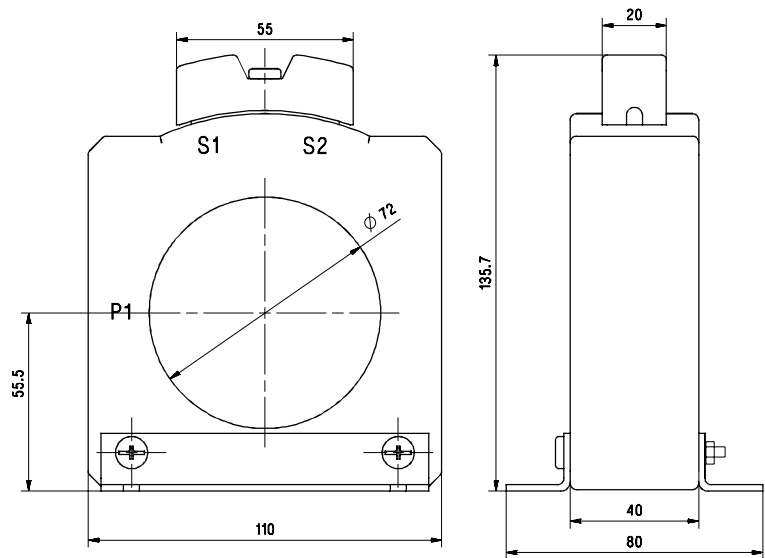
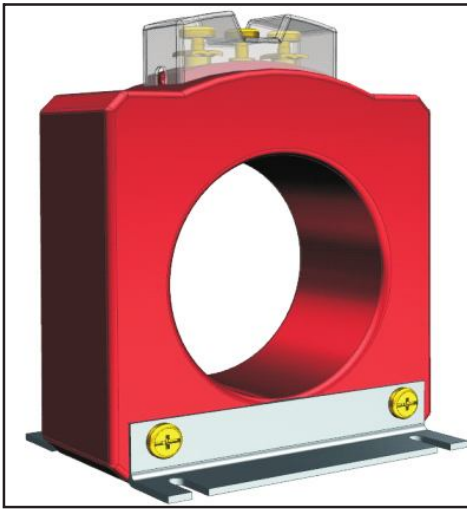
Analyze



Optimize

## RISH *LTRC-3* SERIES

*LTRC-3* 110/72(40)



*LTRC-3* 110/72 (40)

Secondary 5A			Secondary 1A		
RATIO	VA	CLASS	RATIO	VA	CLASS
400/5	10	1	400/1	10	1
500/5	15	1	500/1	15	1
600/5	15	1	600/1	15	1
630/5	15	1	630/1	15	1
400/5	5	0.5	400/1	5	0.5
500/5	7.5	0.5	500/1	7.5	0.5
600/5	15	0.5	600/1	15	0.5
630/5	15	0.5	630/1	15	0.5

ALL DIMENSIONS ARE IN mm



Measure



Control



Record



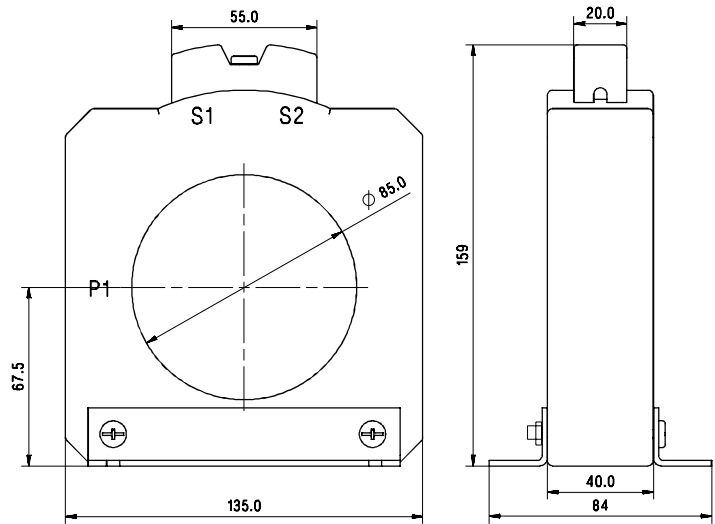
Analyze



Optimize

## RISH LTRC-4 SERIES

LTRC-4 135/85(40)



LTRC- 4 135/85 (40)

Secondary 5A			Secondary 1A		
RATIO	VA	CLASS	RATIO	VA	CLASS
800/5	15	1	800/1	15	1
1000/5	15	1	1000/1	15	1
1200/5	15	1	1200/1	15	1
1250/5	15	1	1250/1	15	1
800/5	15	0.5	800/1	15	0.5
1000/5	15	0.5	1000/1	15	0.5
1200/5	15	0.5	1200/1	15	0.5
1250/5	15	0.5	1250/1	15	0.5

ALL DIMENSIONS ARE IN mm



Measure



Control



Record



Analyze

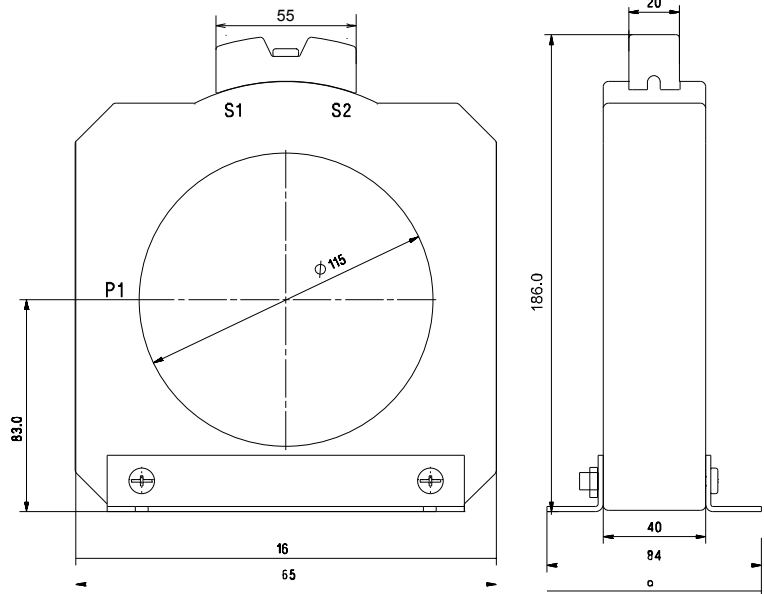
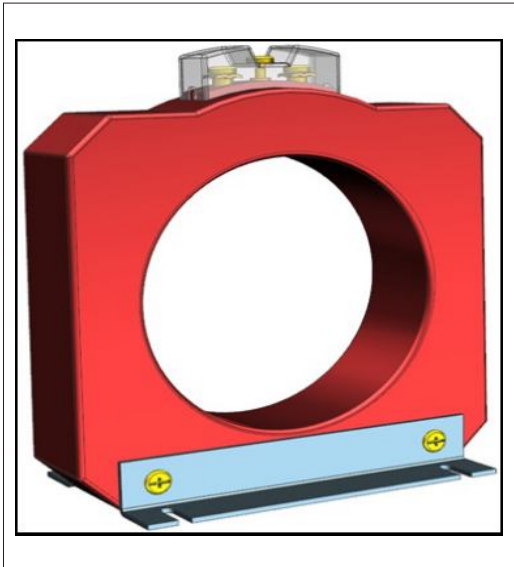


Optimize

# RISH RESIN CAST CT

## RISH LTRC- 5 SERIES

LTRC- 5 165/115(40)



LTRC- 5 165/115 (40)

Secondary 5A			Secondary 1A		
RATIO	VA	CLASS	RATIO	VA	CLASS
1500/5	15	1	1500/1	15	1
1600/5	15	1	1600/1	15	1
2000/5	15	1	2000/1	15	1
1500/5	15	0.5	1500/1	15	0.5
1600/5	15	0.5	1600/1	15	0.5
2000/5	15	0.5	2000/1	15	0.5

ALL DIMENSIONS ARE IN mm



Measure



Control



Record



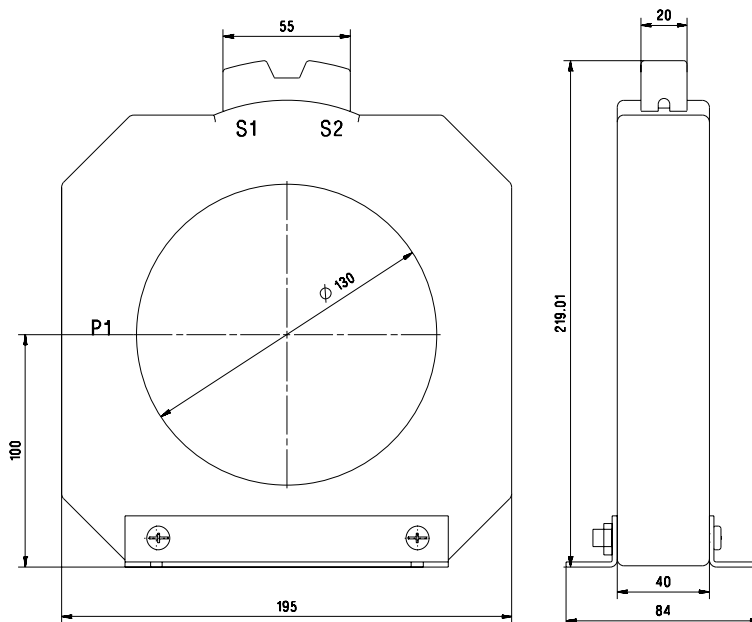
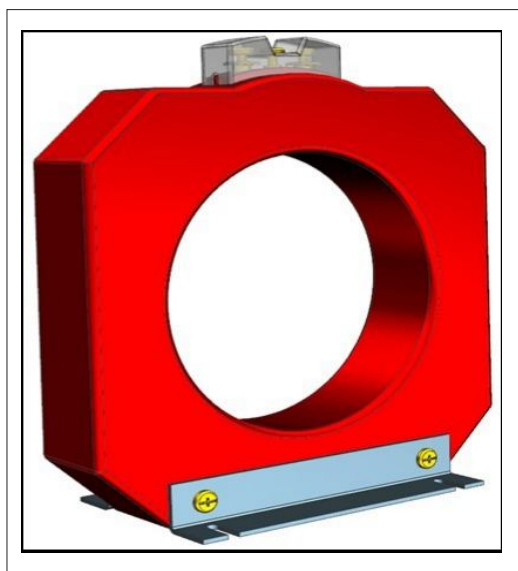
Analyze



Optimize

## RISH LTRC- 6ERIES

LTRC-6 195/130(40)



LTRC- 6 195/130 (40)

Secondary 5A			Secondary 1A		
RATIO	VA	CLASS	RATIO	VA	CLASS
2500/5	15	1	2500/1	15	1
3000/5	15	1	3000/1	15	1
3200/5	15	1	3200/1	15	1
2500/5	15	0.5	2500/1	15	0.5
3000/5	15	0.5	3000/1	15	0.5
3200/5	15	0.5	3200/1	15	0.5

ALL DIMENSIONS ARE IN mm



Measure



Control



Record



Analyze

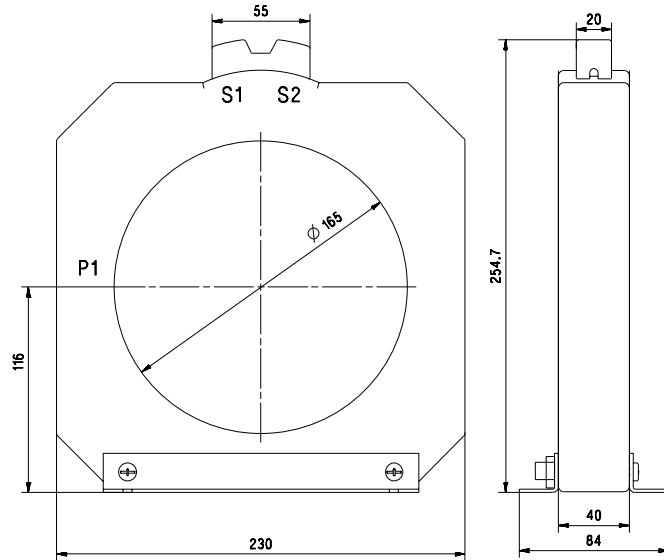
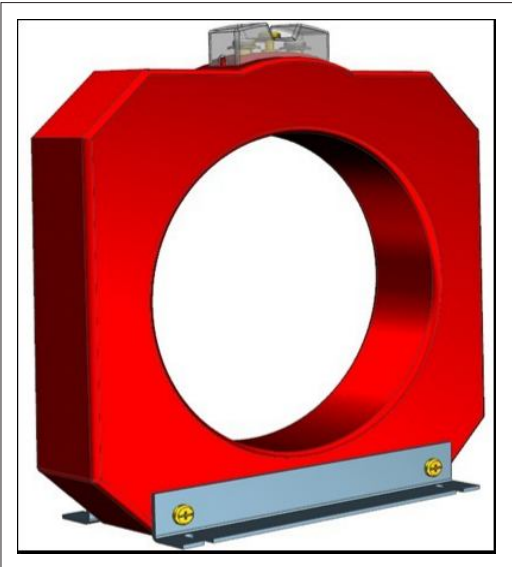


Optimize



## RISH LTRC-7 SERIES

LTRC-7 230/165(40)



LTRC- 7 230/165 (40)

Secondary 5A			Secondary 1A		
RATIO	VA	CLASS	RATIO	VA	CLASS
3000/5	15	1	3000/1	15	1
3200/5	15	1	3200/1	15	1
3000/5	15	0.5	3000/1	15	0.5
3200/5	15	0.5	3200/1	15	0.5

ALL DIMENSIONS ARE IN mm



Measure



Control



Record



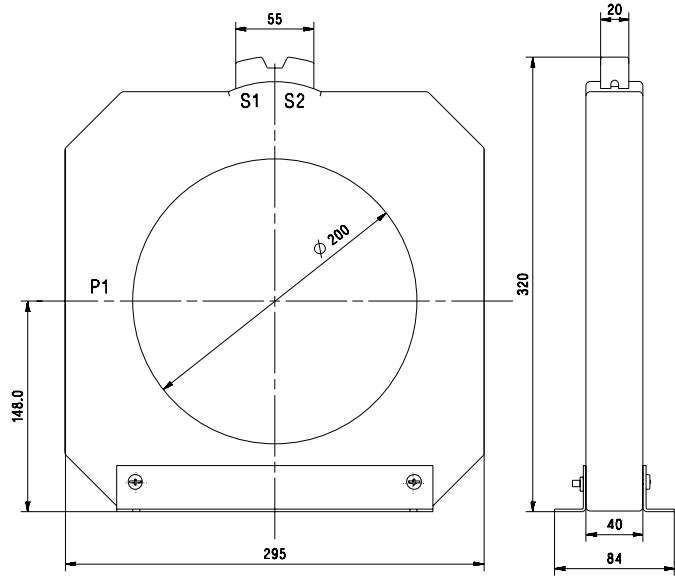
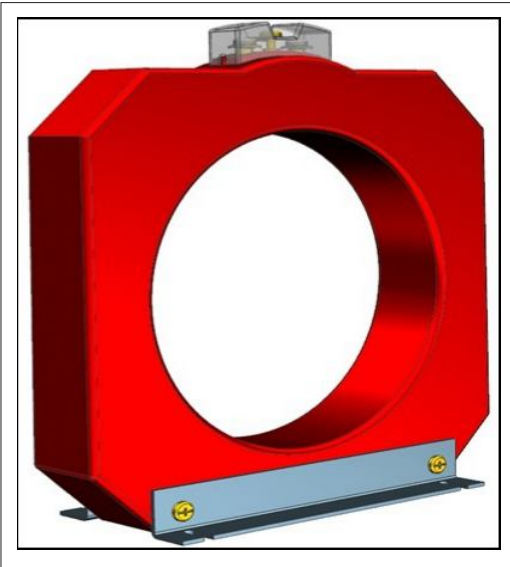
Analyze



Optimize

## RISH LTRC-8 SERIES

LTRC-8 295/200(40)



LTRC- 8 295/200 (40)

Secondary 5A			Secondary 1A		
RATIO	VA	CLASS	RATIO	VA	CLASS
4000/5	15	1	4000/1	15	1
5000/5	15	1	5000/1	15	1
4000/5	15	0.5	4000/1	15	0.5
5000/5	15	0.5	5000/1	15	0.5

ALL DIMENSIONS ARE IN mm



Measure



Control



Record



Analyze



Optimize

# RISH RESIN CASTCT

XRCX	XX	X	XX	X	X	XX	XXXX
80/30 (50) - XRC1 90/50 (40) - XRC2 110/72 (40) - XRC3 135/85 (40) - XRC4 165/115 (40) - XRC5 195/130 (40) - XRC6 230/165 (40) - XRC7 295/200 (40) - XRC8							
<b>Primary current</b> 60A...5000A	01						
<b>Secondary</b> 1A or 5A		1 5					
<b>Burden</b> 2.5VA ....15VA			01				
<b>Accuracy Class</b> 1 or 0.5				1			
<b>Company code</b> RISHABH Other					R B		
<b>Customer specific</b>						00	
<b>Reserved</b>							0000

Sr. No.	Ordering code	Description
1	XRC1-221041R000000	RC CT 80/30/50 60/1A 1.5VA CL1
2	XRC3-071031R000000	RC CT 110/72/41 400/1A 15VA CL1
3	XRC8-201031R000000	RC CT 295/200/40 4000/1A 15VA CL1



Measure



Control



Record



Analyze



Optimize

## RISHABH INSTRUMENTS LIMITED

Domestic (India): +91 253 2202099 | marketing@rishabh.co.in  
 International: +91 253 2202004/06/08/99 | global@rishabh.co.in  
[www.rishabh.co.in](http://www.rishabh.co.in)