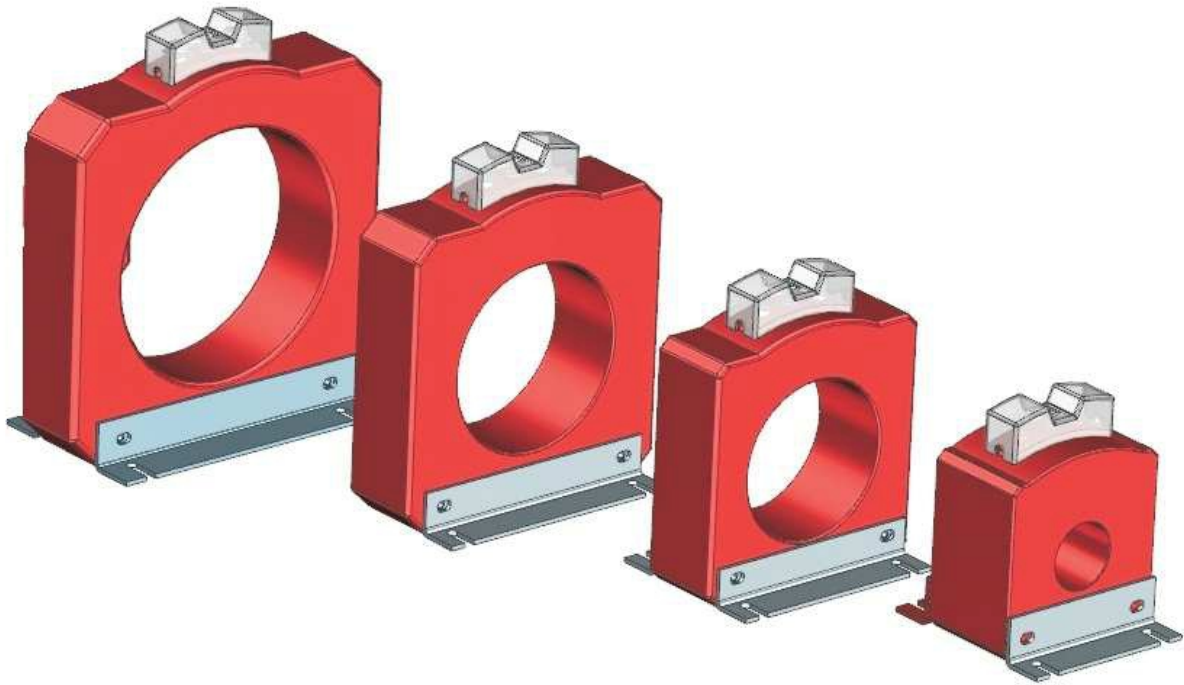




# Data Sheet

## Rish Resin Cast Protection CT

### Rish *LT*RC Series



Measure



Control



Record



Analyze



Optimize

### About Product :

- Transparent cover with IP20 protection to terminals.
- Wide range of system current Ratings.
- Terminal marking engraving.
- Wall mounting.
- Terminal self lifting clamp assembly.

### General Specifications:

<b>Applicable standard</b>	According to IEC 61869-1 & 2
<b>Type</b>	Epoxy Resin cast Low voltage Ring type CT
<b>Insulation class</b>	E (120°C max)
<b>Rated insulation level</b>	0.72/3KV
<b>Operating frequency</b>	50 / 60Hz
<b>Test Voltage</b>	3kV, 50 Hz for 1 minute
<b>Rated Primary Current (Ipr)</b>	100 A to 5000A
<b>Rated Secondary Current (Isr)</b>	5A , 1A
<b>Continuous Current</b>	1.2X Rated current(In)
<b>Rated Burden</b>	1VA to 45VA
<b>Accuracy Class</b>	5P
<b>Accuracy limit factor</b>	5 & 10
<b>Rated short time thermal current (Ith)</b>	60 X In for 1 sec (max.40 kA for 1 sec)
<b>Rated Dynamic Current (Idyn)</b>	2.5 x Ith
<b>Ambient Temperature</b>	-20°C to 45°C
<b>Storage Temperature</b>	-50°C to 80°C



Measure



Control



Record

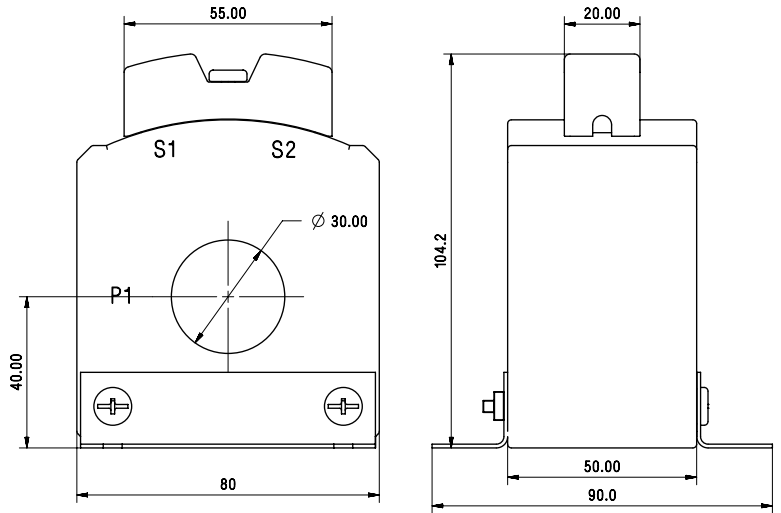
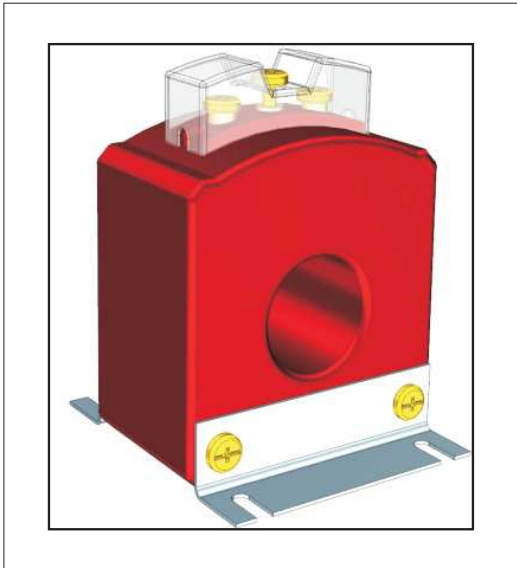


Analyze



Optimize

### Rish LTRC-1 80/30(50)



All dimensions are in mm.

LTRC- 1 80/30 (50)					
Secondary 5A			Secondary 1A		
RATIO	VA	CLASS	RATIO	VA	CLASS
100/5	1.5	5P5	100/1	1.5	5P5
125/5	1.5	5P5	125/1	1.5	5P5
150/5	2.5	5P5	150/1	2.5	5P5
160/5	2.5	5P5	160/1	2.5	5P5
150/5	1	5P10	150/1	1	5P10
160/5	1	5P10	160/1	1.25	5P10



Measure



Control



Record

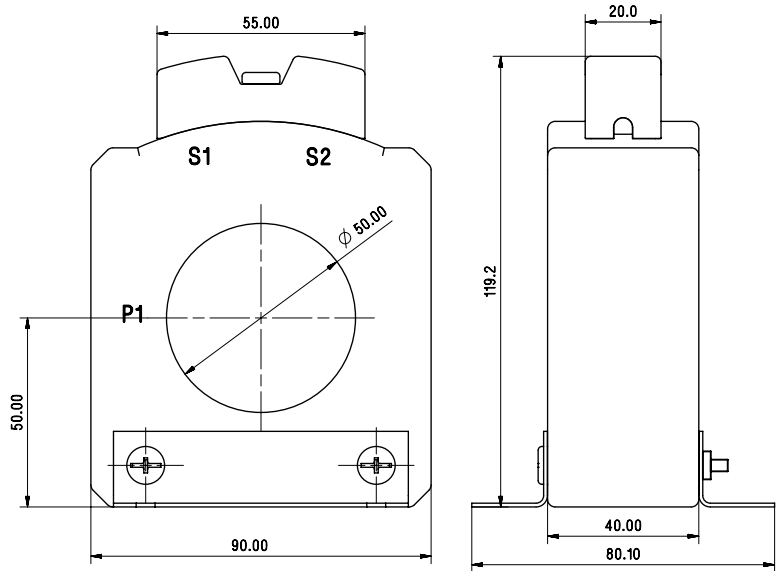
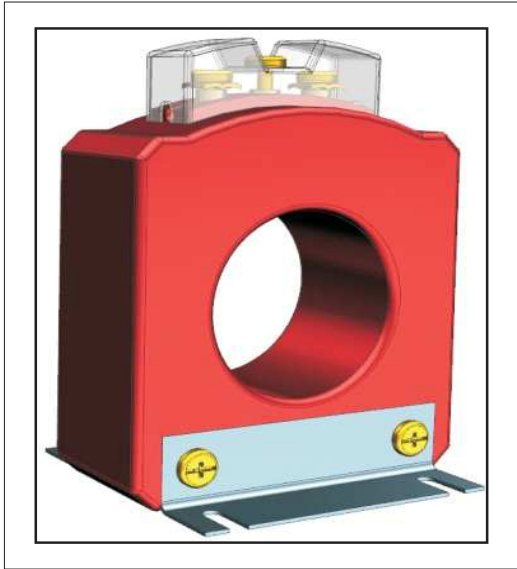


Analyze



Optimize

Rish LTRC-2 90/50(40)



All dimensions are in mm.

LTRC- 2 90/50 (40)					
Secondary 5A			Secondary 1A		
RATIO	VA	CLASS	RATIO	VA	CLASS
200/5	1.25	5P5	200/1	1.5	5P5
250/5	1.5	5P5	250/1	2.75	5P5
300/5	1.5	5P5	300/1	2.5	5P5
320/5	1.5	5P5	320/1	2.75	5P5
300/5	-	-	300/1	1	5P10
320/5	-	-	320/1	1	5P10



Measure



Control



Record

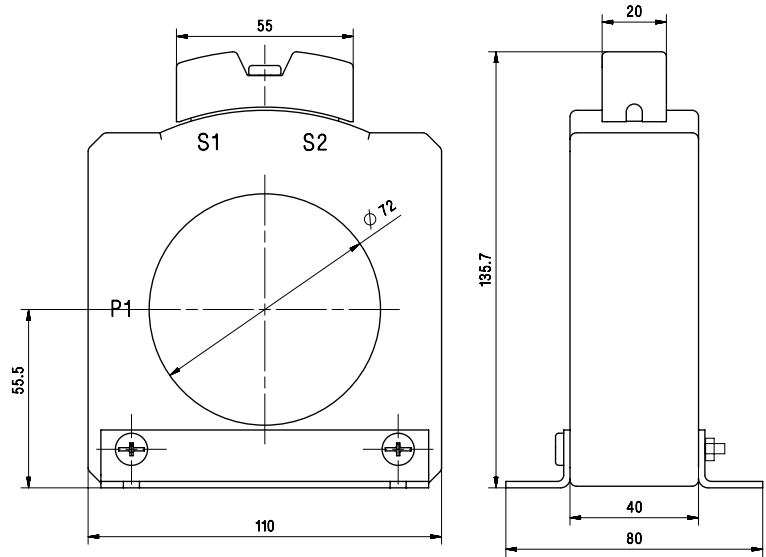
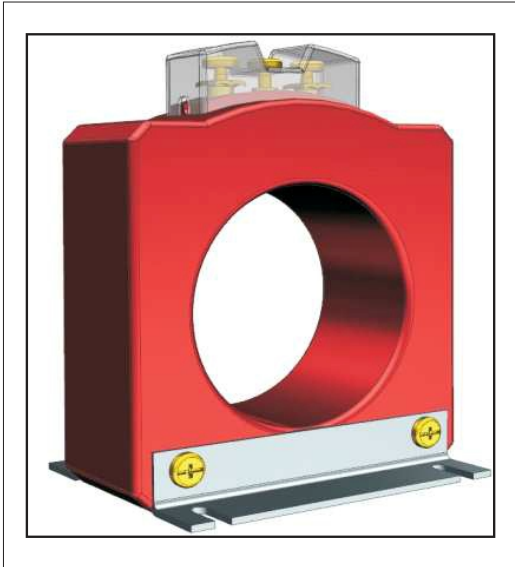


Analyze



Optimize

Rish LTRC-3 110/72(40)



All dimensions are in mm.

LTRC- 3 110/72 (40)					
Secondary 5A			Secondary 1A		
RATIO	VA	CLASS	RATIO	VA	CLASS
400/5	1	5P5	400/1	1	5P5
500/5	1	5P5	500/1	1.5	5P5
600/5	1.5	5P5	600/1	1.75	5P5
630/5	1.5	5P5	630/1	1.75	5P5



Measure



Control



Record

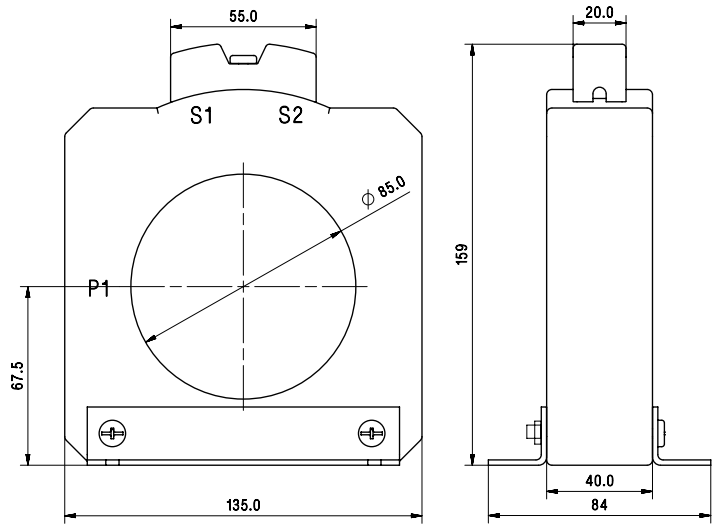
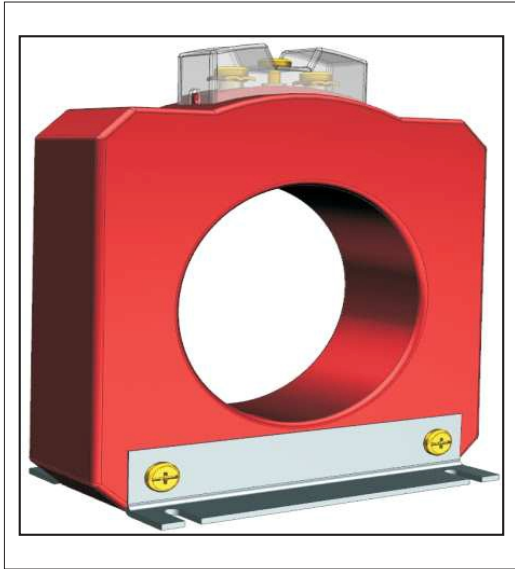


Analyze



Optimize

Rish LTRC-4 135/85(40)



All dimensions are in mm.

LTRC- 4 135/85 (40)					
Secondary 5A			Secondary 1A		
RATIO	VA	CLASS	RATIO	VA	CLASS
800/5	2.5	5P5	800/1	5	5P5
1000/5	3.75	5P5	1000/1	5	5P5
1200/5	5	5P5	1200/1	7.5	5P5
1250/5	5	5P5	1250/1	7.5	5P5
800/5	-	-	800/1	1.75	5P10
1000/5	-	-	1000/1	1.75	5P10
1200/5	-	-	1200/1	2.5	5P10
1250/5	-	-	1250/1	2.5	5P10



Measure



Control



Record

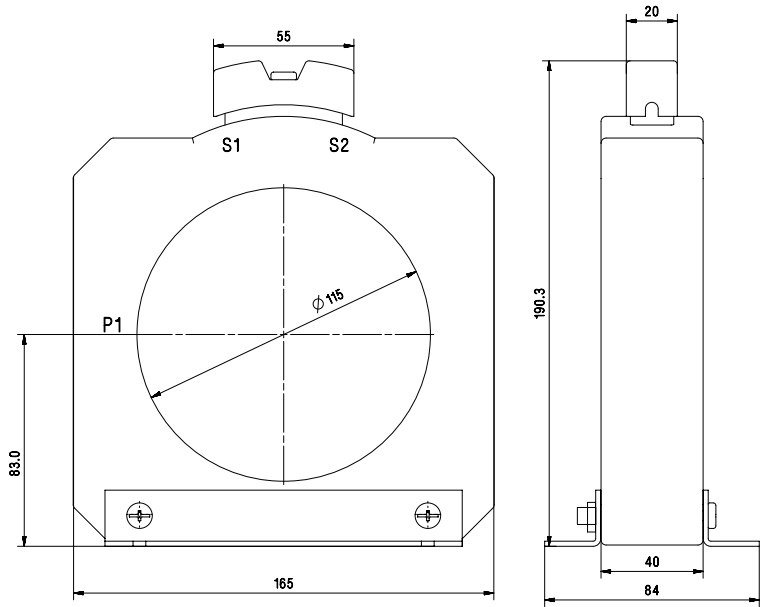
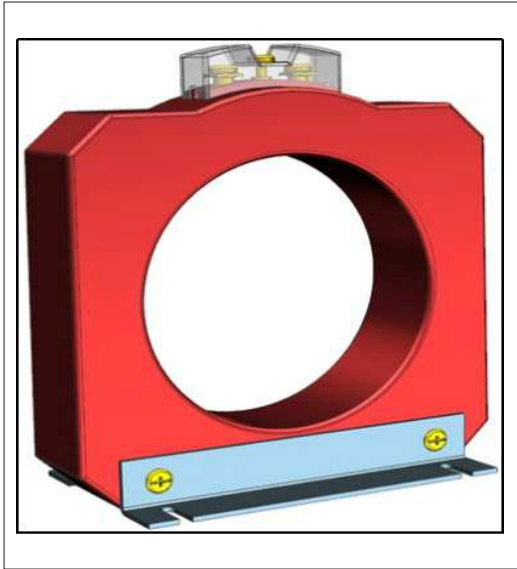


Analyze



Optimize

**Rish LTRC-5 165/115(40)**



All dimensions are in mm.

LTRC- 5 165/115 (40)					
Secondary 5A			Secondary 1A		
RATIO	VA	CLASS	RATIO	VA	CLASS
1250/5	2.5	5P5	1250/5	7.5	5P5
1500/5	3.75	5P5	1500/5	7.5	5P5
1600/5	5	5P5	1600/5	10	5P5
2000/5	6.5	5P5	2000/5	10	5P5
1250/5	-	-	1250/5	1.75	5P10
1500/5	-	-	1500/5	2.5	5P10
1600/5	-	-	1600/5	2.5	5P10
2000/5	-	-	2000/5	2.5	5P10



Measure



Control



Record

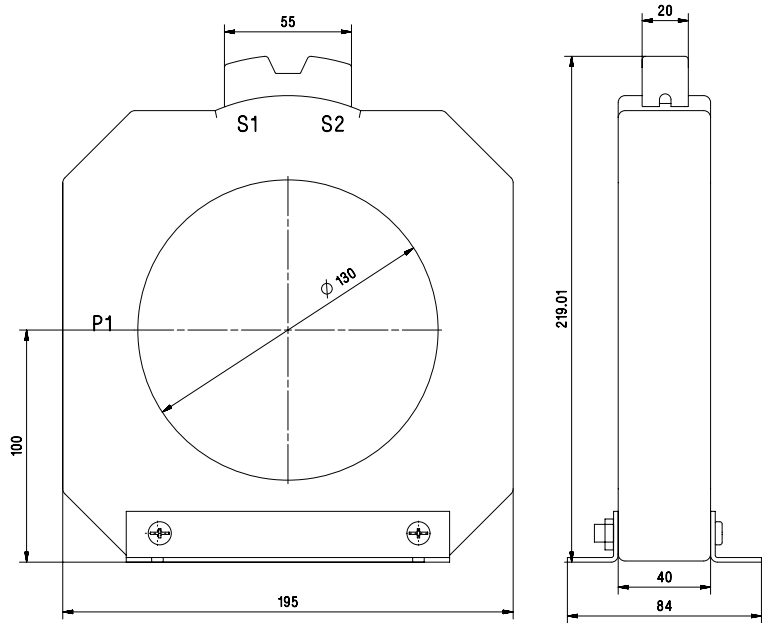
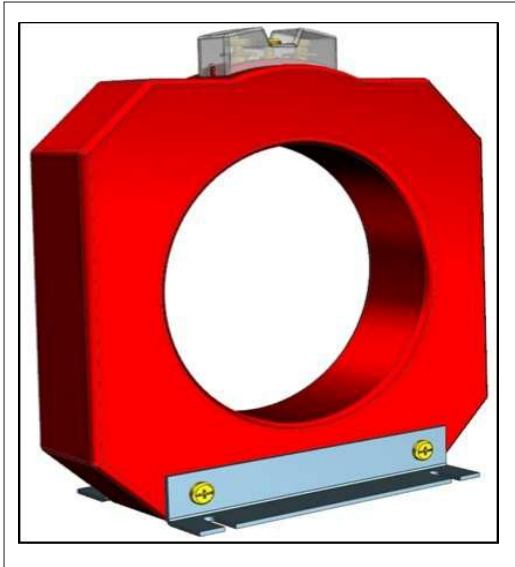


Analyze



Optimize

Rish LTRC-6 195/130(40)



All dimensions are in mm.

LTRC- 6 195/130 (40)					
Secondary 5A			Secondary 1A		
RATIO	VA	CLASS	RATIO	VA	CLASS
2500/5	15	5P5	2500/5	15	5P5
3000/5	20	5P5	3000/5	20	5P5
3200/5	20	5P5	3200/5	20	5P5
2500/5	3.75	5P10	2500/5	5	5P10
3000/5	3.75	5P10	3000/5	6.25	5P10
3200/5	3.75	5P10	3200/5	7.5	5P10



Measure



Control



Record



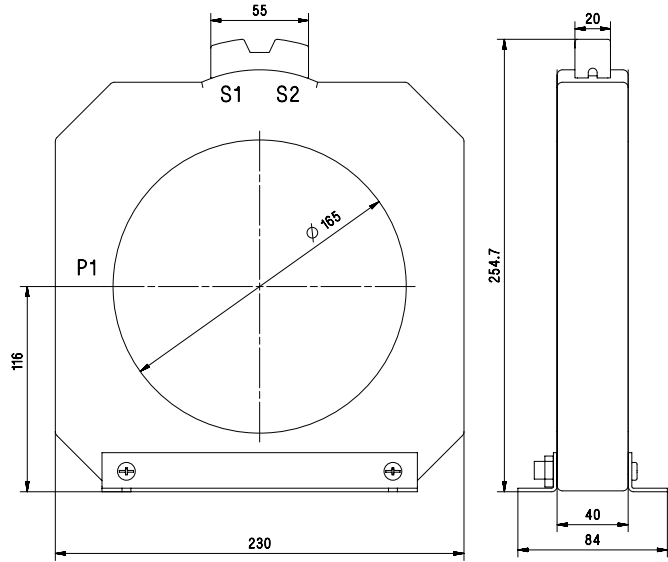
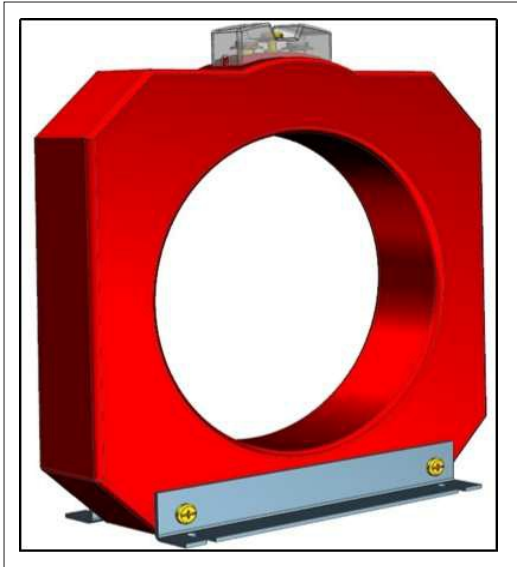
Analyze



Optimize



Rish LTRC-7 230/165(40)



All dimensions are in mm.

LTRC- 7 230/165 (40)					
Secondary 5A			Secondary 1A		
RATIO	VA	CLASS	RATIO	VA	CLASS
3000/5	20	5P5	3000/5	20	5P5
3200/5	20	5P5	3200/5	20	5P5
3000/5	3.75	5P10	3000/5	5	5P10
3200/5	3.75	5P10	3200/5	5	5P10



Measure



Control



Record

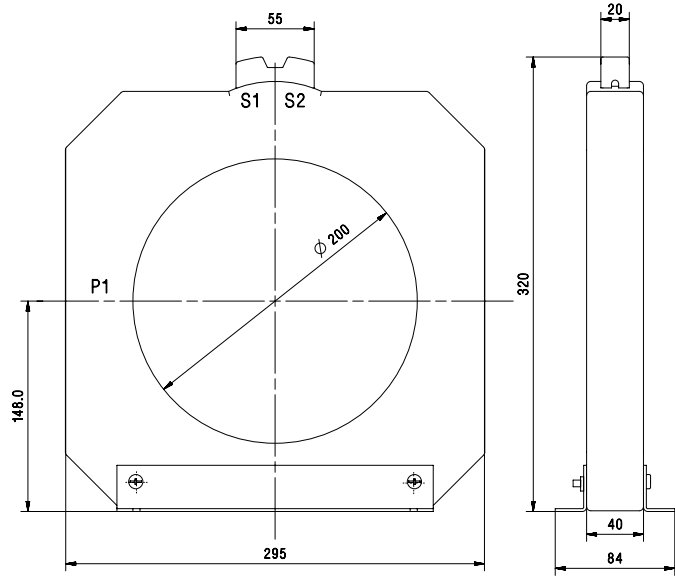
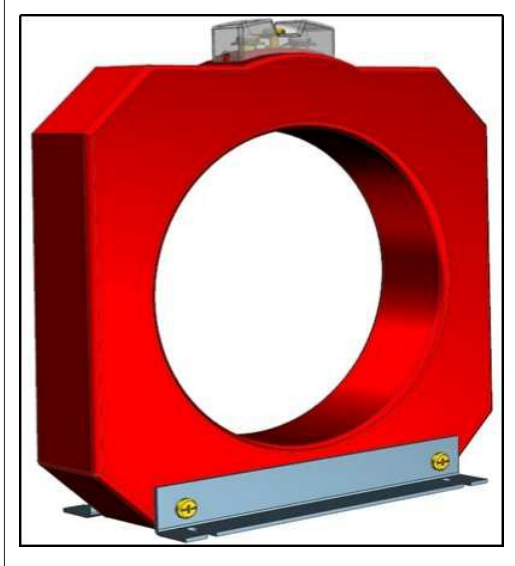


Analyze



Optimize

Rish LTRC-8 295/200(40)



All dimensions are in mm.

LTRC- 8 295/200 (40)					
Secondary 5A			Secondary 1A		
RATIO	VA	CLASS	RATIO	VA	CLASS
4000/5	30	5P5	4000/5	30	5P5
5000/5	45	5P5	5000/5	45	5P5
4000/5	10	5P10	4000/5	15	5P10
5000/5	10	5P10	5000/5	20	5P10



Measure



Control



Record



Analyze



Optimize

### Ordering Information

Product Code		XRCX	XX	X	XX	X	X	XX	XXXX
Type	RISH LTRC 1 80/30 (50)	XRC1							
	RISH LTRC 2 90/50 (40)	XRC2							
	RISH LTRC 3 110/72 (40)	XRC3							
	RISH LTRC 4 135/85 (40)	XRC4							
	RISH LTRC 5 165/115 (40)	XRC5							
	RISH LTRC 6 195/130 (40)	XRC6							
	RISH LTRC 7 230/165 (40)	XRC7							
	RISH LTRC 8 295/200 (40)	XRC8							
Primary Current 100A.....5000A			01						
Secondary Current 1A 5A				1 5					
Burden 2.5VA.....45VA					01				
Accuracy Class 1.0 0.5 5P5 5P10						1 2 3 4			
Company code RISHABH Other							R B		
Customer specific								00	
Reserved									0000

Sr. No.	Ordering code	Description
1	XRC2-061076R000000	RC CT 90/50/40 300/1A 1VA 5P10
2	XRC4-121054R000000	RC CT 135/85/40 1000/1A 1.75VA 5P10
3	XRC8-201032R000000	RC CT 295/200/40 4000/1A 15VA 5P10

\*\*Subject to Change Without Notice



Measure



Control



Record



Analyze



Optimize



RISHABH



Measure



Control



Record



Analyze



Optimize

## RISHABH INSTRUMENTS LIMITED

Domestic (India): +91 253 2202099 | [marketing@rishabh.co.in](mailto:marketing@rishabh.co.in)  
International: +91 253 2202004/06/08/99 | [global@rishabh.co.in](mailto:global@rishabh.co.in)  
[www.rishabh.co.in](http://www.rishabh.co.in)