

LOW VOLTAGE CURRENT TRANSFORMER

RISHABH TW SERIES



Data Sheet

ROUND CURRENT
TRANSFORMER

TW CT SERIES



Measure



Control



Record



Analyze



Optimize

LOW VOLTAGE CURRENT TRANSFORMER

Applicable standard: - IEC-61869-1&2 / IEC- 60044 -1, BS 3938, IS 2705 -1,2&3.

Case: - Unfilled polycarbonate, flame retardant grades classified UL 94V-0.

Connection: - M4 screws clamp strap assembly.

Insulation class: - E (120°C max)

System voltage: - 720V maximum

Test voltage: - For Ring (Window) type CT 4KV 50 Hz for 1 min

Operating frequency: - 50Hz / 60 Hz

Rated primary rating: - 50A to 3200A

Rated secondary output: - 5A standard (1A on request)

Rated burden: - 1, 1.25, 1.5, 2.5, 3.75, 5, 7.5, 10, 12.5, 15, 20, 30, 45 VA

Class of accuracy: - 0.2 for laboratory and power measurement
0.5, 0.5S for accurate measuring, kWh
1 for general measurement
3 for indicating instruments

Ambient temperature: - -25°C to +40°C

Storage temperature: - -50°C...+80°C

Thermal short circuit current (I_{th}): - 60xI_n for Bus Bar type CT.

Dynamic short circuit current (I_{dyn}): - 2.5xI_{th}

Instrument security factor (FS): - 2.5, 5, 10

Features

Wide range of system current Ratings.

Transparent Terminal cover.

Various mounting options like Bus bar mounting, Wall mounting.

APPLICATIONS

- Switchgear
- Distribution system
- Generator sets
- Control panels
- Overload protection
- Control devices



Measure



Control



Record

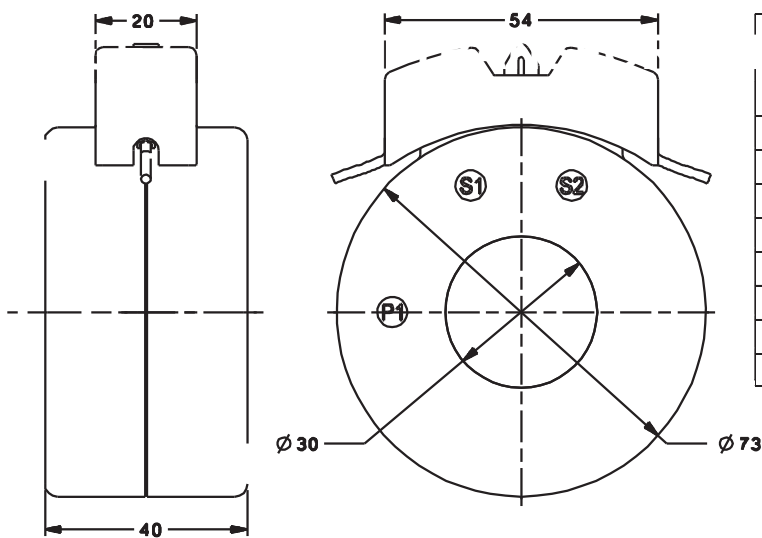


Analyze



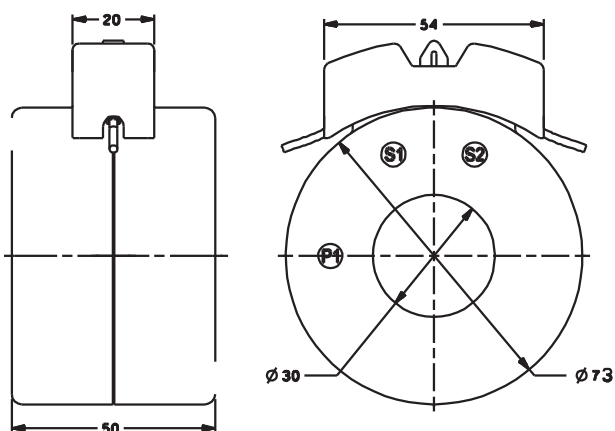
Optimize

RISH CT TW - 1



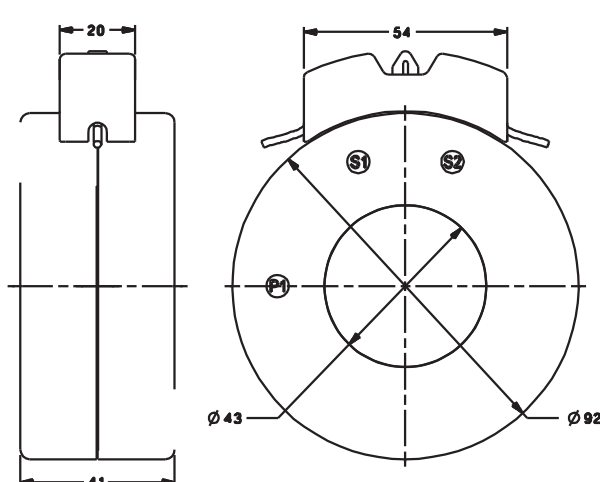
Primary Current	RISH CT TW-1	
	Accuracy	
	0.5	1.0
50A	-	1.5VA
60A	-	1.5VA
75A	-	1.5VA
100A	1.5VA	2.5VA
120A	1.5VA	2.5VA
125A	2.5VA	3.75VA
150A	2.5VA	5VA
200A	5VA	10VA

RISH CT TW - 2



Primary Current	RISH CT TW-2			
	Accuracy			
	0.2	0.5S	0.5	1.0
50A	-	-	-	1.5VA
60A	-	-	-	1.5VA
75A	-	-	1.5VA	2.5VA
100A	-	-	2.5VA	5VA
120A	-	-	2.5VA	5VA
125A	-	-	2.5VA	5VA
150A	-	2.5VA	5VA	10VA
200A	2.5VA	5VA	10VA	15VA

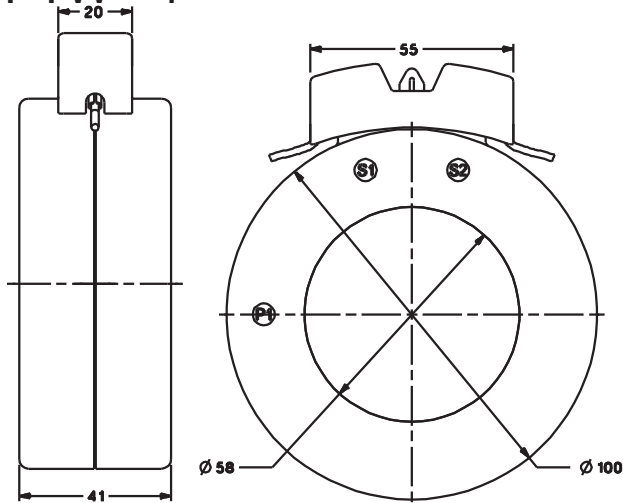
RISH CT TW - 3



Primary Current	RISH CT TW-3			
	Accuracy			
	0.2	0.5S	0.5	1.0
50A	-	-	-	-
60A	-	-	-	-
75A	-	-	-	1VA
80A	-	-	-	1.5VA
100A	-	-	1VA	2.5VA
120A	-	-	1VA	2.5VA
125A	-	-	1VA	2.5VA
150A	-	-	1.5VA	3.75VA
200A	1.5VA	5VA	5VA	10VA
250A	2.5VA	7.5VA	7.5VA	15VA
300A	3.75VA	10VA	10VA	20VA

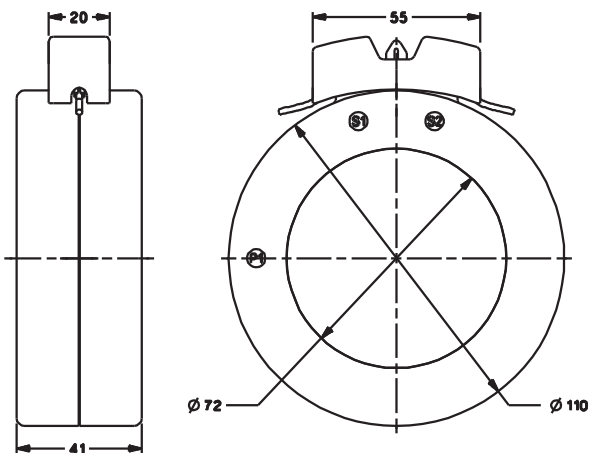
ALL DIMENSIONS ARE IN MM

RISH CT TW - 4



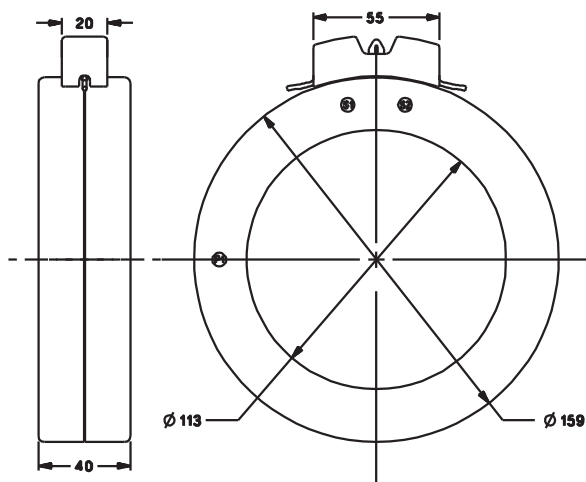
Primary Current	RISH CT TW-4			
	Accuracy			
	0.2	0.5S	0.5	1.0
120A	-	-	-	1VA
125A	-	-	-	1.5VA
150A	-	-	1VA	2.5VA
200A	-	1.5VA	2.5VA	5VA
250A	-	2.5VA	3.75VA	7.5VA
300A	-	3.75VA	5VA	10VA
400A	5VA	7.5VA	10VA	20VA
500A	7.5VA	10VA	15VA	25VA
600A	10VA	15VA	15VA	25VA

RISH CT TW - 5



Primary Current	RISH CT TW-5			
	Accuracy			
	0.2	0.5S	0.5	1.0
200A	-	-	-	1.5VA
250A	-	-	1.5VA	2.5VA
300A	-	-	2.5VA	5VA
400A	2.5VA	5VA	7.5VA	12.5VA
500A	3.75VA	7.5VA	10VA	15VA
600A	5VA	7.5VA	10VA	15VA
800A	10VA	15VA	15VA	30VA
1000A	10VA	15VA	15VA	30VA

RISH CT TW - 6



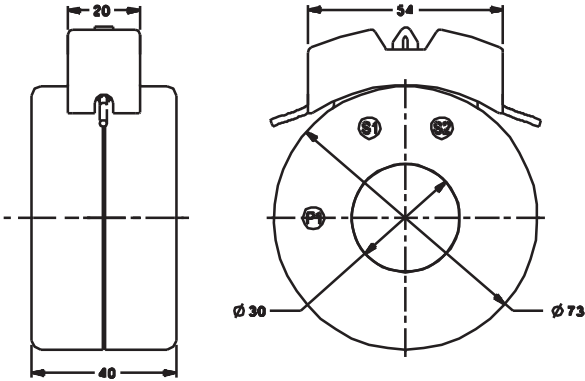
Primary Current	RISH CT TW-6			
	Accuracy			
	0.2	0.5S	0.5	1.0
600A	1.5VA	3.75VA	5VA	10VA
800A	2.5VA	7.5VA	10VA	15VA
1000A	3.75VA	7.5VA	10VA	15VA
1200A	15VA	15VA	20VA	30VA
1250A	15VA	15VA	20VA	30VA
1500A	15VA	15VA	20VA	30VA
1600A	15VA	15VA	20VA	30VA
2000A	15VA	20VA	25VA	45VA
2500A	15VA	20VA	25VA	45VA
3000A	15VA	25VA	30VA	45VA
3200A	15VA	25VA	30VA	45VA

ALL DIMENSIONS ARE IN MM

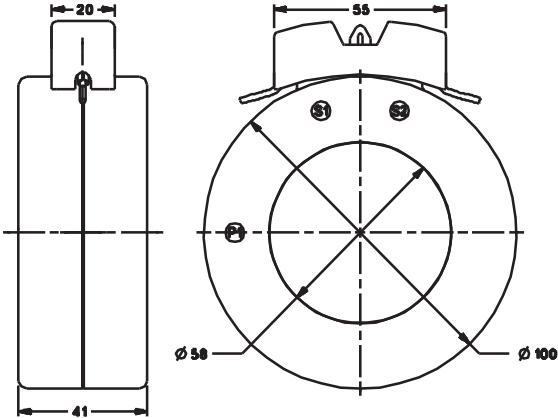
RISH CT SERIES CURRENT TRANSFORMER RANGES



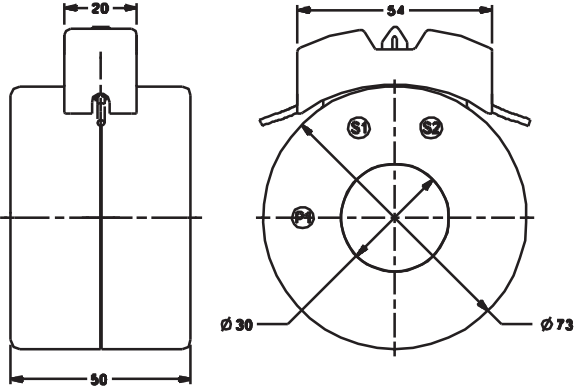
RISH CT TW - 1



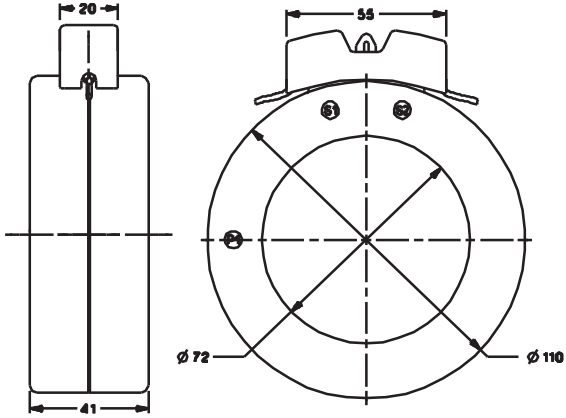
RISH CT TW - 4



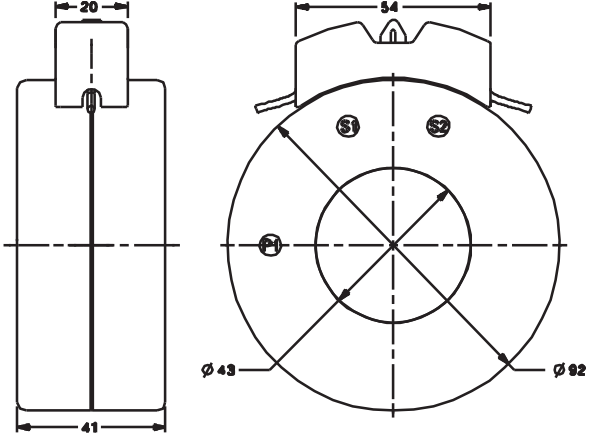
RISH CT TW - 2



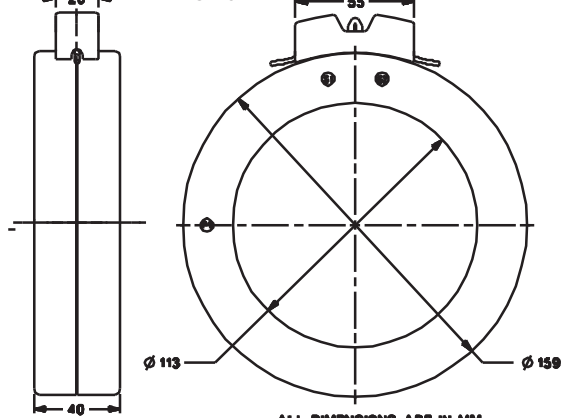
RISH CT TW - 5



RISH CT TW - 3



RISH CT TW - 6



ALL DIMENSIONS ARE IN MM

RISH CT SERIES CURRENT TRANSFORMER RANGES



Primary Current	RISH CT TW-1		RISH CT TW-2				RISH CT TW-3			
	Accuracy		Accuracy				Accuracy			
	0.5	1.0	0.2	0.5S	0.5	1.0	0.2	0.5S	0.5	1.0
50A	-	1.5VA	-	-	-	1.5VA	-	-	-	-
60A	-	1.5VA	-	-	-	1.5VA	-	-	-	-
75A	-	1.5VA	-	-	1.5VA	2.5VA	-	-	-	1VA
80A	-	-	-	-	-	-	-	-	-	1.5VA
100A	1.5VA	2.5VA	-	-	2.5VA	5VA	-	-	1VA	2.5VA
120A	1.5VA	2.5VA	-	-	2.5VA	5VA	-	-	1VA	2.5VA
125A	2.5VA	3.75VA	-	-	2.5VA	5VA	-	-	1VA	2.5VA
150A	2.5VA	5VA	-	2.5VA	5VA	10VA	-	-	1.5VA	3.75VA
200A	5VA	10VA	2.5VA	5VA	10VA	15VA	1.5VA	5VA	5VA	10VA
250A	-	-	-	-	-	-	2.5VA	7.5VA	7.5VA	15VA
300A	-	-	-	-	-	-	3.75VA	10VA	10VA	20VA

Primary Current	RISH CT TW-4				RISH CT TW-5				RISH CT TW-6			
	Accuracy				Accuracy				Accuracy			
	0.2	0.5S	0.5	1.0	0.2	0.5S	0.5	1.0	0.2	0.5S	0.5	1.0
100A	-	-	-	-	-	-	-	-	-	-	-	-
120A	-	-	-	1VA	-	-	-	-	-	-	-	-
125A	-	-	-	1.5VA	-	-	-	-	-	-	-	-
150A	-	-	1VA	2.5VA	-	-	-	-	-	-	-	-
200A	-	1.5VA	2.5VA	5VA	-	-	-	1.5VA	-	-	-	-
250A	-	2.5VA	3.75VA	7.5VA	-	-	1.5VA	2.5VA	-	-	-	-
300A	-	3.75VA	5VA	10VA	-	-	2.5VA	5VA	-	-	-	-
400A	5VA	7.5VA	10VA	20VA	2.5VA	5VA	7.5VA	12.5VA	-	-	-	-
500A	7.5VA	10VA	15VA	25VA	3.75VA	7.5VA	10VA	15VA	-	-	-	-
600A	10VA	15VA	15VA	25VA	5VA	7.5VA	10VA	15VA	1.5VA	3.75VA	5VA	10VA
800A	-	-	-	-	10VA	15VA	15VA	30VA	2.5VA	7.5VA	10VA	15VA
1000A	-	-	-	-	10VA	15VA	15VA	30VA	3.75VA	7.5VA	10VA	15VA
1200A	-	-	-	-	-	-	-	-	15VA	15VA	20VA	30VA
1250A	-	-	-	-	-	-	-	-	15VA	15VA	20VA	30VA
1500A	-	-	-	-	-	-	-	-	15VA	15VA	20VA	30VA
1600A	-	-	-	-	-	-	-	-	15VA	15VA	20VA	30VA
2000A	-	-	-	-	-	-	-	-	15VA	20VA	25VA	45VA
2500A	-	-	-	-	-	-	-	-	15VA	20VA	25VA	45VA
3000A	-	-	-	-	-	-	-	-	15VA	25VA	30VA	45VA
3200A	-	-	-	-	-	-	-	-	15VA	25VA	30VA	45VA



Measure



Control



Record



Analyze



Optimize

RISHABH INSTRUMENTS LIMITED

Domestic (India): +91 253 2202099 | marketing@rishabh.co.in

International: +91 253 2202004/06/08/99 | global@rishabh.co.in

www.rishabh.co.in