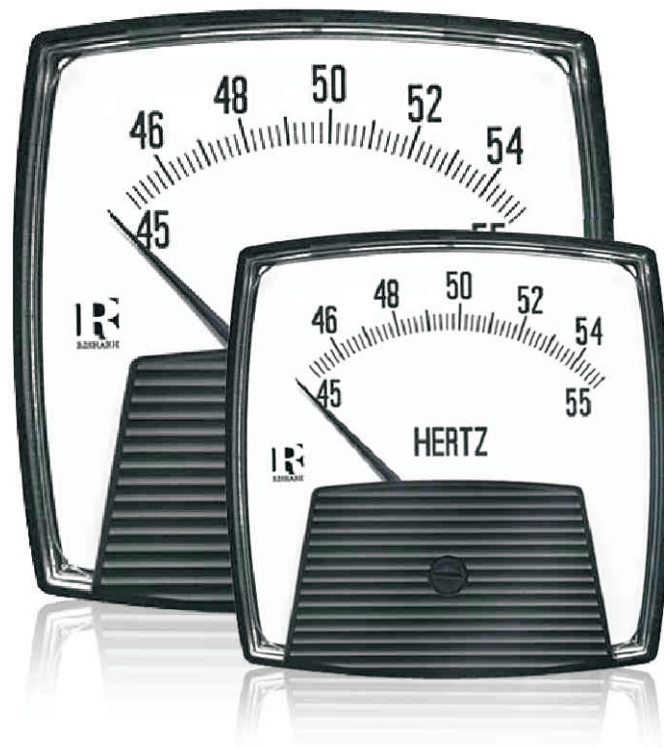


Data Sheet

012 and 013
Saxon Series
Panel Meters



Application

A range of short scale panel meters that comply with Internationally recognised specifications. Their rugged design will suit demanding environmental applications.

Features

- Two case sizes available: 2^{1/2}, 3^{1/2} inches
- Dust and water jet protected to IP54 (NEMA 4)
- Withstands high levels of shock, vibration, dirt and humidity .
- Complies with international standards:
- IEC51 (EN60051) or ANSI-C39.1
- UL approved
- Instruments comply with EN61010-1 and meets IEC414 Dielectric Test

Elapsed Time Meter and Frequency Meter

| | |
|------------------|--|
| Voltage | : 100/125V, 200/250V |
| Frequency | : 45Hz or 55Hz 55Hz or 65Hz 45Hz or 65Hz |
| Burden | : 4VA Maximum |

Moving Iron A. C. Ammeters & Voltmeters

| | |
|-----------------------|---------------|
| Accuracy Class | : 4VA Maximum |
| Rating | |
| Ammeters | : 1 to 30A |
| Voltmeters | : 10V to 750V |

Overload

| | |
|-------------------|---|
| Ammeters | : x1.2 for 2 hours x10 for 5 seconds |
| Voltmeters | : x1.2 for 2 hours x2 for 5 seconds |

Moving Coil D. C. Ammeters & Voltmeters

| | |
|-----------------------|----------------|
| Accuracy Class | : 1.5 |
| Rating | |
| Ammeters | : 100mA to 30A |
| Voltmeters | : 50mV - 600V |

Applicable Standards

| | |
|--|---|
| Nominal case and cutout dimensions for indicating electrical instruments. | : IS 2419 DIN 43700 |
| Scale and pointer for electrical measuring instruments. | : IS 1248, IEC 51 DIN 43802 |
| Connections and Terminal markings for panel meters | : IS 1248 , IEC 51 DIN 43807 |
| Terminal bolts / leads | : DIN 46200/46282 |
| Clamp straps for connections. | : DIN 46282 |
| Safety requirements and protective measures for Electrical indicating instruments and their accessories. | IS 9249 DIN 40050 / 8-70 VDE 0110 /11-72 VDE 0410 /10-76 IEC 529,IEC 1010 |

Performance specifications for direct acting indicating analogue electrical measuring instruments & their accessories : IS 1248
IEC 51/DIN EN 60051
DIN 43701

Environmental conditions : IS 1248
IS: 9000, Part 5, 7, 8,
VDE / VDI 3540

Front frames for indicating measuring instruments principle dimensions. : DIN 43718

UL Combustibility class. : UL 94 V-O

Technical conditions of delivery for electrical instruments. : DIN 43701

Mechanical strength (Free fall test, vibration test) : IS 1248/IEC 51
IS 9000
VDE 0411, part I,
Sec.43/44, IEC 1010

E M C compliance as per following standards:
E N 50081-2,EN 50082-2,N 55011/CISPR 11,
EN 60555-2,IEC 555-2
EN 61000-4-4/IEC 1000-4-4,
EN 61000-4-2/IEC 1000-4-2,
EN 61000-4-5/IEC 1000-4-5,ENV 50140.

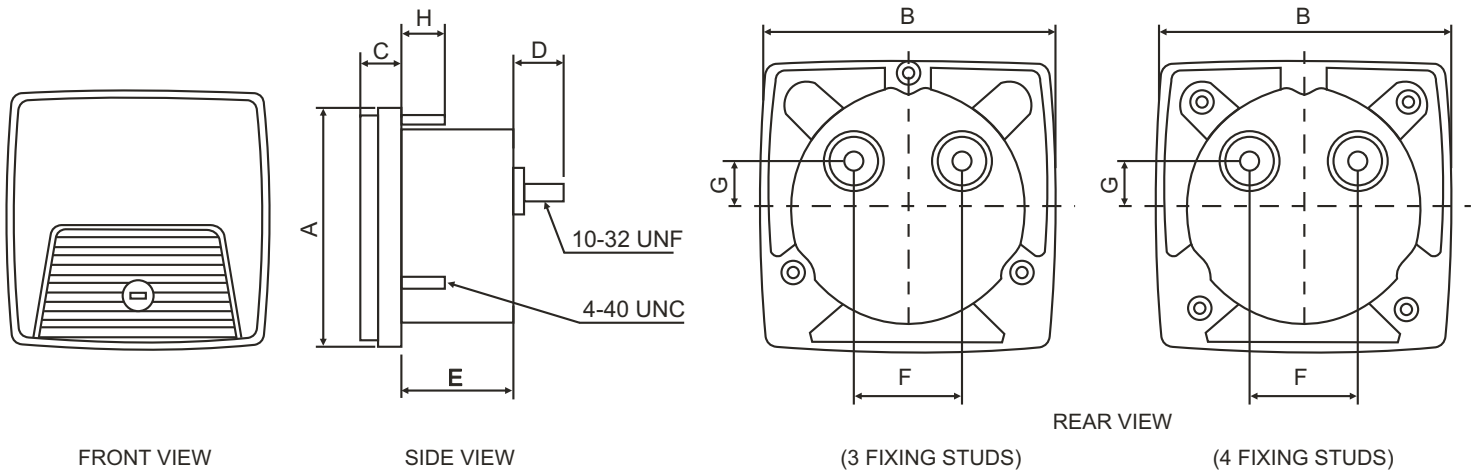
Comply with following European directives : 89 / 336/ EEC (EMC directive), 73 / 23 / EEC (low voltage directive) & amendment 93 / 68 / EEC, for CE marking.

Specifications

| A. C. AMMETERS -TRUE RMS READING | |
|------------------------------------|-------------------|
| RATING | SCALING |
| 5A | 0-5A |
| 10A | 0-10A |
| 15A | 0-15A |
| 20A | 0-20A |
| 30A | 0-30A |
| 60A | 0-60A |
| 1A | Transformer Rated |
| 5A | Transformer Rated |
| A. C. VOLTMETERS -TRUE RMS READING | |
| 150V | 0-150V |
| 300V | 0-300V |
| 600V | 0-600V |
| 750V | Transformer Rated |
| D. C. AMMETERS | |
| 0-1mA | ** |
| 0-5mA | 0-5mA |
| 0-10mA | 0-10mA |
| 0-20mA | 0-20mA |
| 0-50mA | 0-50mA |
| 0-100mA | 0-100mA |
| 0-200mA | 0-200mA |
| 0-500mA | 0-500mA |
| 0-600mA | 0-600mA |
| 0-1A | 0-1A |
| 0-2A | 0-2A |
| 0-4A | 0-4A |
| 0-5A | 0-5A |
| 0-6A | 0-6A |
| 0-10A | 0-10A |
| 0-20A | 0-20A |
| 0-30A | 0-30A |

| MILLIAMMETERS - SUPPRESSED ZERO | |
|--|-----------|
| 4-20mA | ** |
| D.C. VOLTMETERS (Sensitivity 1000W/Volt) | |
| 0-50mV | ** |
| 0-100mV | ** |
| 0-15V | 0-15V |
| 0-30V | 0-30V |
| 0-50V | 0-50V |
| 0-150V | 0-150V |
| 0-300V | 0-300V |
| 0-600V | 0-600V |
| FREQUENCY METERS, 120V (Self Contained) | |
| CENTRE FREQ. | SCALE |
| 50Hz | 45-55Hz |
| 55Hz | 45-65Hz |
| 60Hz | 55-65Hz |
| 400Hz | 360-440Hz |

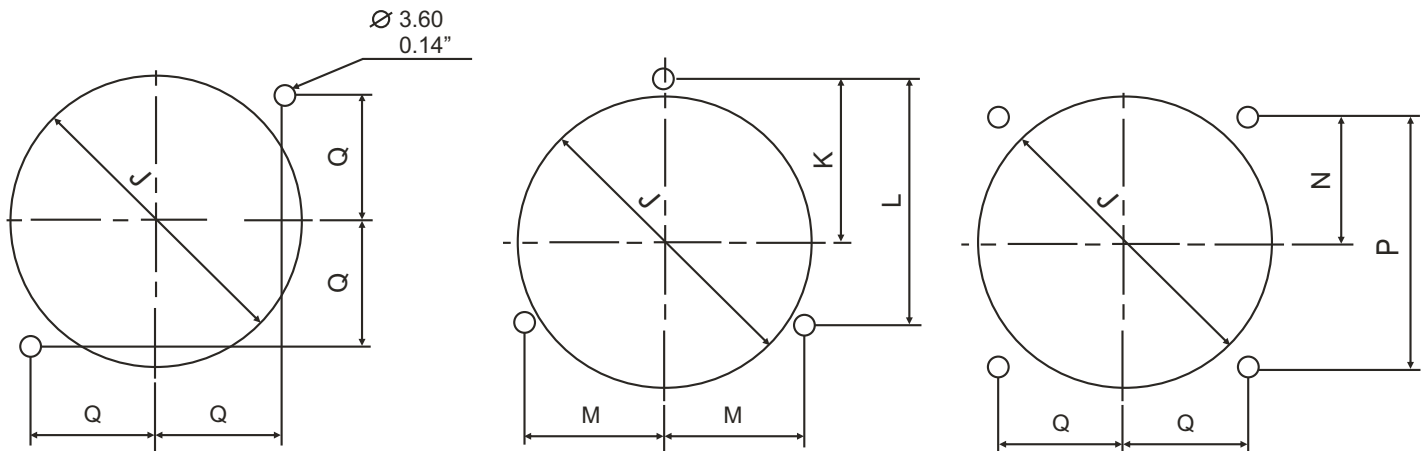
Dimensions



| Type | | A | B | C | D | E | F | G | H | J | K | L | M | N | P | Q |
|------|--------|------|------|------|------|------|------|------|------|-------|------|------|------|------|------|------|
| 012 | 2 ½ mm | 68.6 | 68.6 | 11.8 | 14.6 | 32.0 | 25.4 | 10.4 | 12.7 | 55.9 | 31 | 46.5 | 26.9 | 23.9 | 47.8 | 23.9 |
| | Inch | 2.70 | 2.70 | 0.46 | 0.57 | 1.26 | 1.00 | 0.41 | 0.50 | 2.20 | 1.22 | 1.83 | 1.06 | 0.94 | 1.88 | 0.94 |
| 013 | 3 ½ mm | 88.9 | 88.9 | 11.8 | 14.6 | 36.0 | 25.4 | 10.4 | 12.7 | 69.9 | 40.2 | 60.3 | 34.8 | 28.5 | 57.0 | 28.5 |
| | Inch | 3.5 | 3.5 | 0.46 | 0.57 | 1.42 | 1.00 | 0.41 | 0.50 | 20.75 | 1.58 | 2.37 | 1.37 | 1.12 | 2.24 | 1.12 |

PANEL CUT-OUT :-

Specify number of fixing studs when ordering



Measure



Control



Record



Analyze



Optimize

RISHABH INSTRUMENTS LIMITED

Domestic (India): +91 253 2202099 | marketing@rishabh.co.in
 International: +91 253 2202004/06/08/99 | global@rishabh.co.in
 www.rishabh.co.in