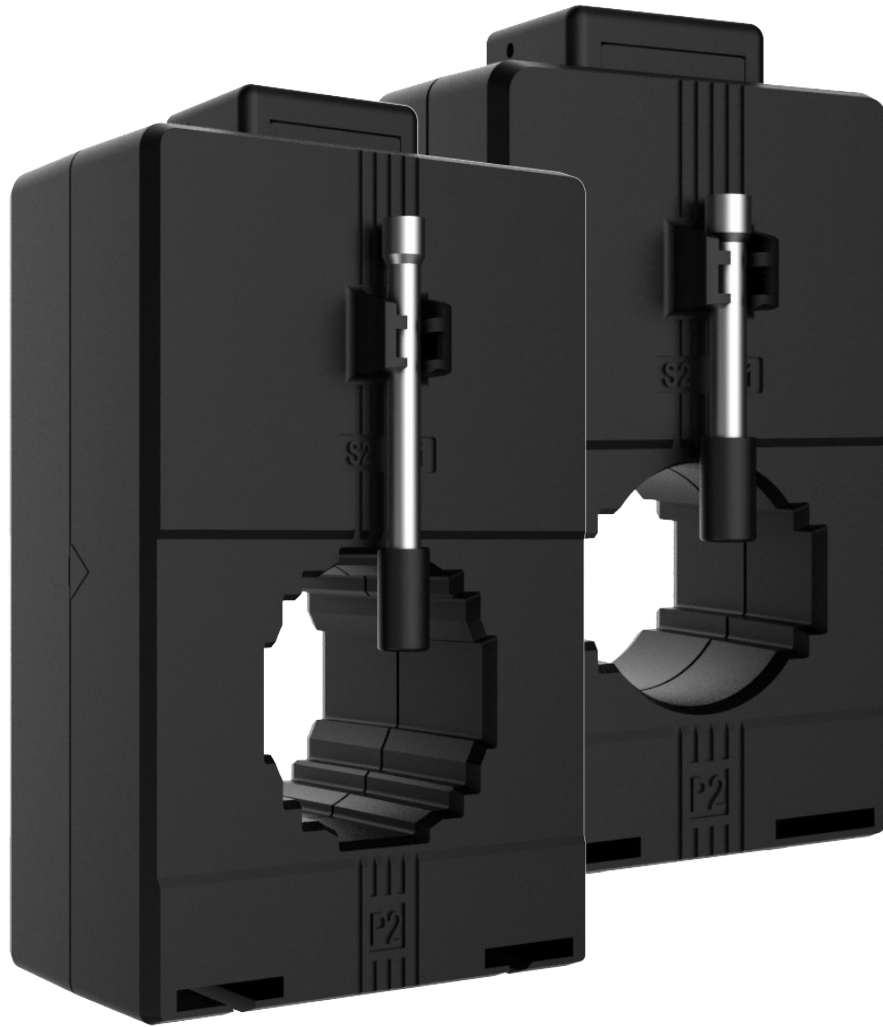




# Data Sheet

## Single Phase RJ12 CT



Measure



Control



Record



Analyze



Optimize

### Product Features:

- Transmission of measuring signal to the measuring unit via RJ12 connection cable
- RJ12 socket for fast connection eliminate wiring errors.
- Various mounting options like bus bar mounting, wall mounting, Universal din-rail mounting.
- Sealing cap for tamper-proof connection.



### Single Phase RJ12 CT Models :

- RJ12-62-40 (40)
- RJ12-62-30 (40)
- RJ12-50-30 (30)
- RJ12-50-21 (30)

### Input and Output:

- Primary Current 50A to 800A.
- Secondary Current output 100mA (Standard).



Measure



Control



Record



Analyze



Optimize

### Technical Specifications:

<b>Applicable Standard</b>	: IEC 61869- part 2
<b>Case</b>	: Polycarbonate, Flame retardant grade classified UL94V-0
<b>Connection</b>	: RJ 12 Connection
<b>Insulation Class</b>	: E (120°C)
<b>Maximum Operating Voltage (Um)</b>	: 0.72 KV Maximum.
<b>Test Voltage</b>	: 3kV, 50 Hz for 1 minute.
<b>Operating Frequency</b>	: 50/60 Hz.
<b>Rated Primary Rating</b>	: 50A-800A.
<b>Rated Secondary Output</b>	: 100mA.
<b>Rated Burden</b>	: 1VA- 15 VA
<b>Class of Accuracy</b>	: 0.5 , 1.0
<b>Instrument Security Factor (FS)</b>	: 5 , 10 & 15.
<b>Operating Temperature</b>	: -25°C to +40°C.
<b>Storage Temperature</b>	: -50°C to +80°C.
<b>Thermal Short Circuit Rated Current (I<sub>th</sub>)</b>	: 40 x I <sub>n</sub> .
<b>Dynamic Short Circuit Rated Current (I<sub>dyn</sub>)</b>	: 2.5 x I <sub>th</sub> .
<b>Thermal Nominal Continuous Rated Current (I<sub>cth</sub>)</b>	: 1.2 x I <sub>n</sub> .
<b>Open-Circuit Protection</b>	: Yes



Measure



Control



Record

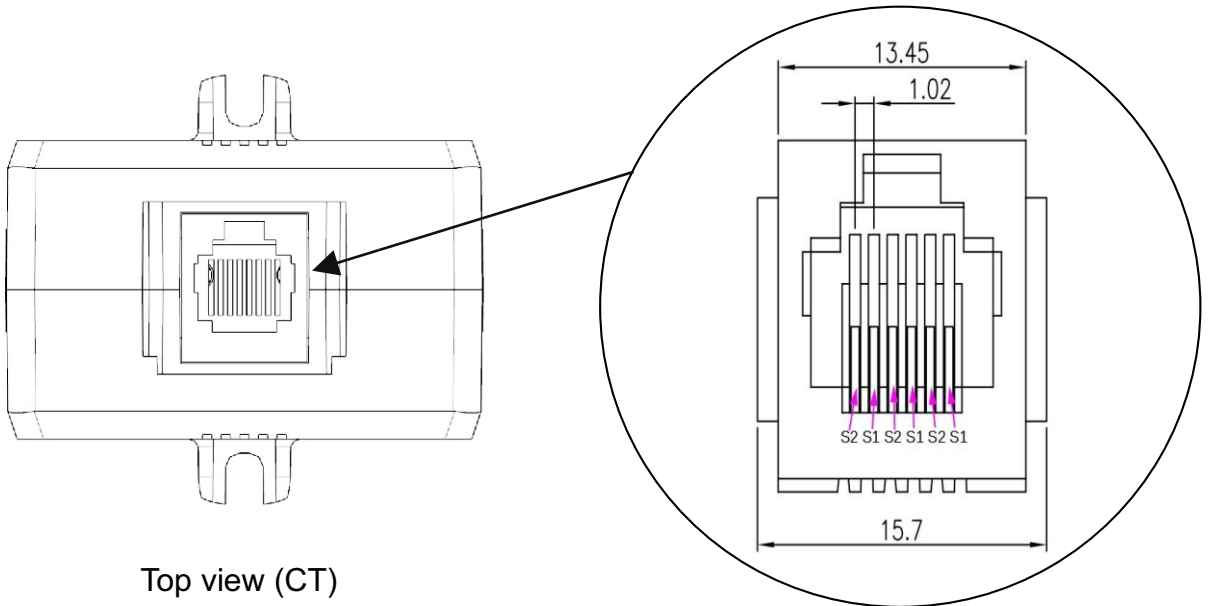


Analyze

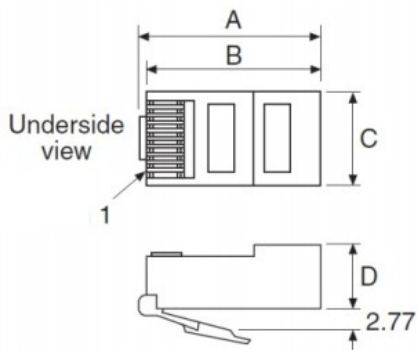


Optimize

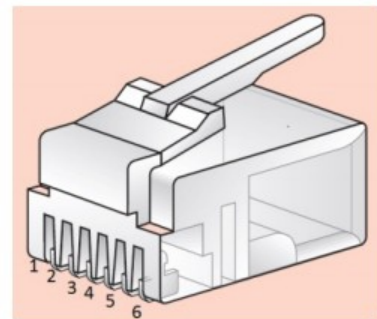
### RJ12 Connector 1P RJ12 CT :



Top view (CT)



Ways	A	B	C	D
6	13.35	12.43	9.65	6.6



PIN NUMBER	1, 3, 5.	2, 4, 6.
CT Side	S1	S2

**\*Note:**

1. Pin number 1, 3, 5 are shorted.
2. Pin number 2, 4, 6 are shorted.



Measure



Control



Record



Analyze

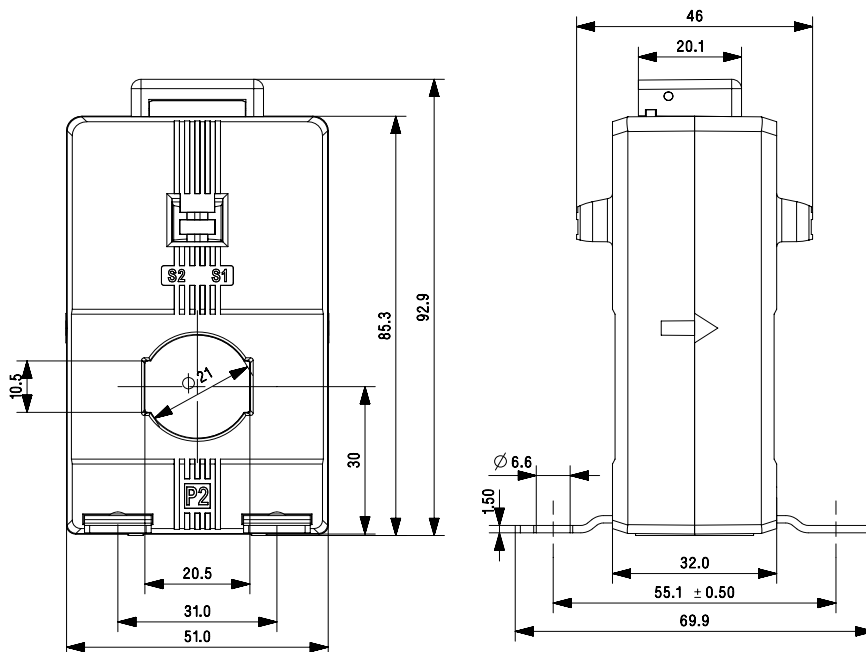


Optimize

RISH 1P RJ12 50-21 (30):

Model 1P RJ12 - 50-21(30)					
Primary Current (A)	Secondary Current (A)	Burden (VA)	Class	Burden (VA)	Class
50	0.1	1	1	--	0.5
60	0.1	1	1	--	0.5
75	0.1	1.5	1	--	0.5
80	0.1	2.5	1	1	0.5
100	0.1	2.5	1	1.5	0.5
120	0.1	2.5	1	2.5	0.5
125	0.1	3.75	1	2.5	0.5
150	0.1	5	1	2.5	0.5
200	0.1	5	1	3.75	0.5
250	0.1	5	1	5	0.5
300	0.1	7.5	1	5	0.5
400	0.1	7.5	1	5	0.5

DIMENSIONAL DETAILS:



Measure



Control



Record

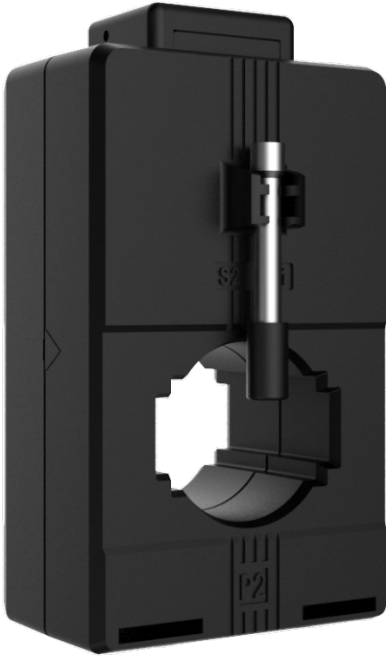


Analyze



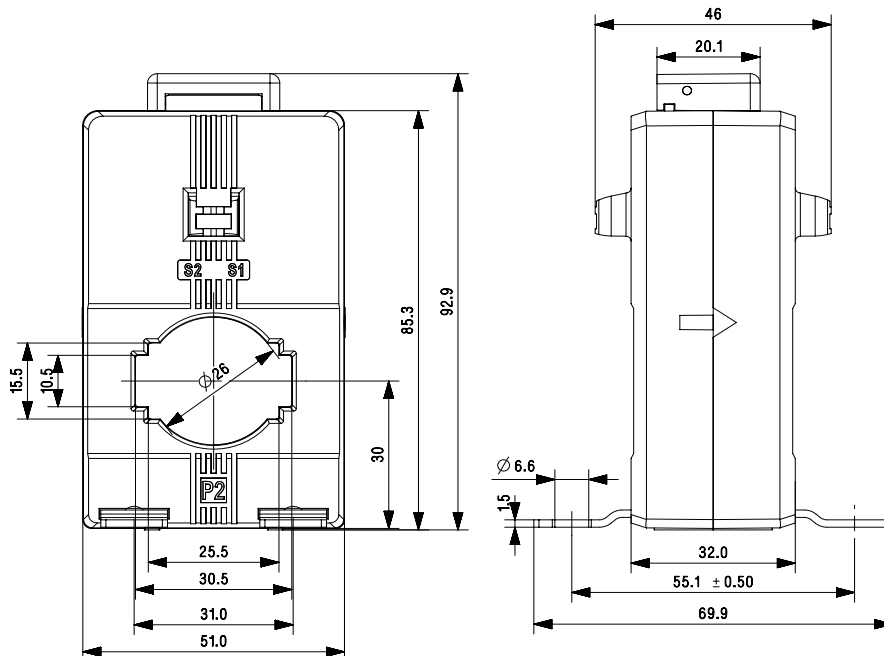
Optimize

RISH 1P RJ12 50-30 (30):



Model 1P RJ12 – 50-30 (30)					
Primary Current (A)	Secondary Current (A)	Burden (VA)	Class	Burden (VA)	Class
75	0.1	1	1	--	--
80	0.1	1.5	1	--	--
100	0.1	2.5	1	1	0.5
120	0.1	2.5	1	1	0.5
125	0.1	2.5	1	1	0.5
150	0.1	3.75	1	2.5	0.5
200	0.1	5	1	2.5	0.5
250	0.1	5	1	5	0.5
300	0.1	5	1	5	0.5
400	0.1	6.25	1	5	0.5
500	0.1	6.25	1	5	0.5
600	0.1	7.5	1	5	0.5

DIMENSIONAL DETAILS:



Measure



Control



Record

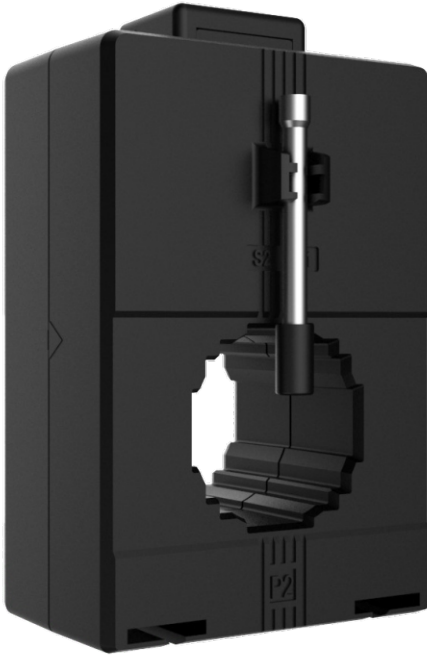


Analyze



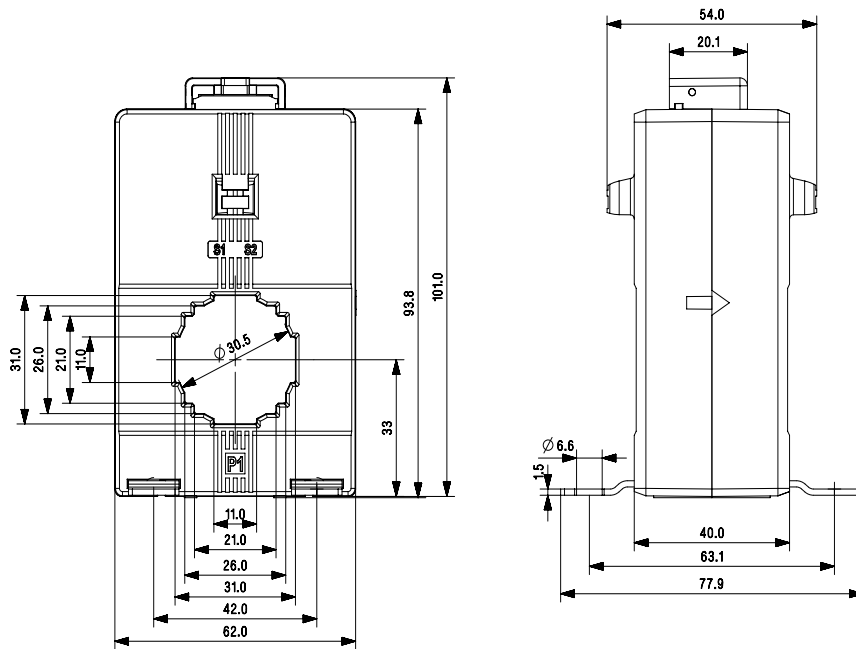
Optimize

RISH 1P RJ12 62-30 (40):



Model 1P RJ12 – 62-30 (40)					
Primary Current (A)	Secondary Current (A)	Burden (VA)	Class	Burden (VA)	Class
50	0.1	1.25	1	--	--
60	0.1	1.5	1	--	--
75	0.1	2.5	1	--	--
80	0.1	2.5	1	--	--
100	0.1	3.75	1	1.5	0.5
120	0.1	3.75	1	2.5	0.5
125	0.1	3.75	1	2.5	0.5
150	0.1	7.5	1	3.75	0.5
200	0.1	10	1	5	0.5
250	0.1	10	1	5	0.5
300	0.1	15	1	10	0.5
400	0.1	15	1	12.5	0.5
500	0.1	15	1	12.5	0.5
600	0.1	20	1	15	0.5
750	0.1	15	1	15	0.5
800	0.1	15	1	15	0.5

DIMENSIONAL DETAILS:



Measure



Control



Record

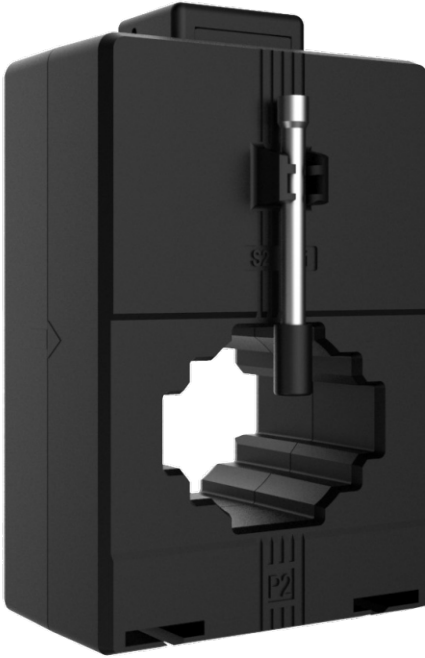


Analyze



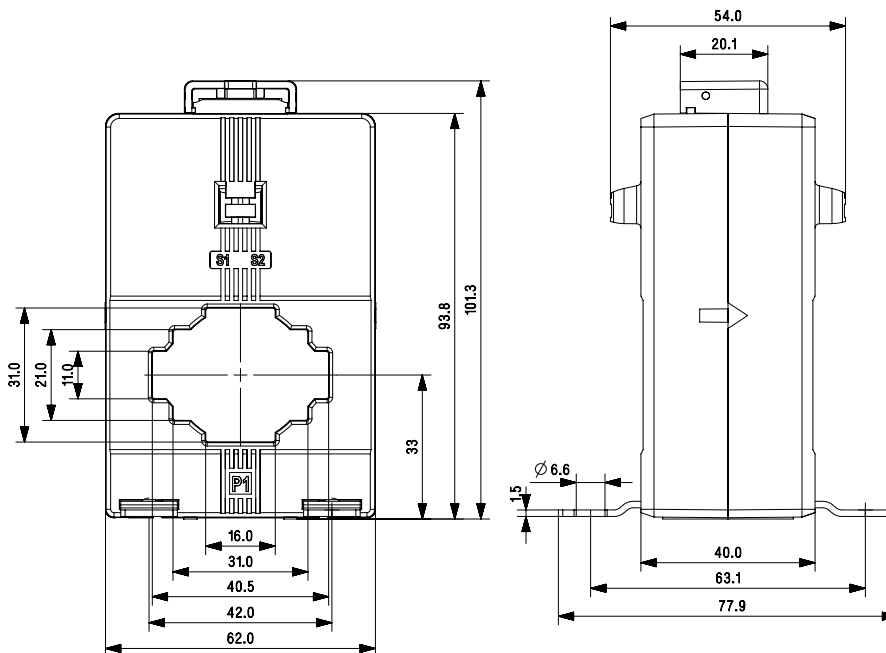
Optimize

RISH 1P RJ12 62-40 (40):



Model 1P RJ12 – 62-40 (40)					
Primary Current (A)	Secondary Current (A)	Burden (VA)	Class	Burden (VA)	Class
100	0.1	1.5	1	--	--
120	0.1	1.5	1	--	--
125	0.1	1.5	1	--	--
150	0.1	2.5	1	--	--
200	0.1	3.75	1	1.5	0.5
250	0.1	5	1	2.5	0.5
300	0.1	5	1	5	0.5
400	0.1	5	1	5	0.5
500	0.1	7.5	1	5	0.5
600	0.1	10	1	7.5	0.5
750	0.1	10	1	10	0.5
800	0.1	10	1	10	0.5

DIMENSIONAL DETAILS:



Measure



Control



Record



Analyze



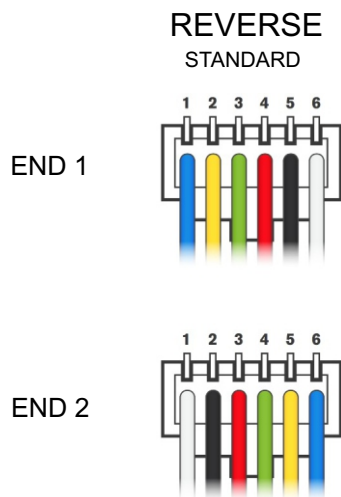
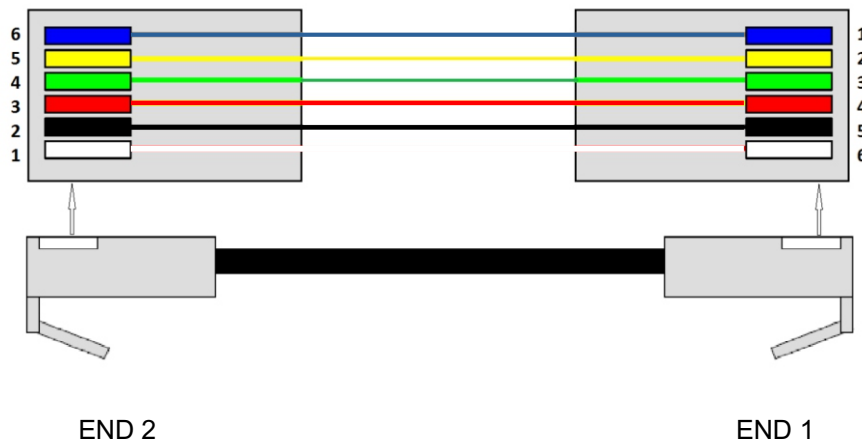
Optimize



### RJ12 Cable Specifications:

- Cable length : 2m (Standard)
- Size of Conductor : 26 AWG stranded copper wire
- Temperature, MaxUp to 60°C
- Flame retardant material
- Black Insulation cable
- Pinned-straight
- Designed for RJ plugs
- Insulation : Polypropylene
- Thickness:- 2.4 +/- .2
- Jacket : PVC
- Voltage : Max150V
- UL Listed

\* 3m cable on request



Measure



Control



Record



Analyze



Optimize

### Ordering Information:

Product Code	XJXX -	XX	X	XX	X	X	000000
Type	RISH 1P RJ12 50-21 (30)	XJ52					
	RISH 1P RJ12 50-30 (30)	XJ53					
	RISH 1P RJ12 62-30 (40)	XJ63					
	RISH 1P RJ12 62-40 (40)	XJ64					
Primary Current	XJ52 (50 ~ 400 A)		02 ~ 13				
	XJ53 (75 ~ 600 A)		04 ~ 15				
	XJ63 (50 ~ 800 A)		02 ~ 17				
	XJ64 (100 ~ 800 A)		06 ~ 17				
Secondary Current	100 mA			3			
VA	XJ52 (1 ~ 7.5 VA)			01 ~ 06			
	XJ53 (1 ~ 7.5 VA)			01 ~ 07			
	XJ63 (1.25 ~ 20 VA)			02 ~ 12			
	XJ64 (1.5 ~ 10 VA)			02 ~ 07			
Accuracy Class	1					1	
	0.5					5	
Colour	Black						B
	Gray						G

### Example :

Sr.No	Description	Ordering Code
1	RISH 1P RJ12 50-21 (30) 50/100 mA, 1 VA, CL 1 (Black)	XJ52-023011B000000
2	RISH 1P RJ12 62-40 (40) 800/100 mA, 10 VA, CL 0.5 (Grey)	XJ64-173075G000000



Measure



Control



Record



Analyze



Optimize

RJ12 CT Ranges



Single Phase RJ12 CT

Nano CT

Three Phase RJ12 CT



Measure



Control



Record



Analyze



Optimize



RISHABH



Measure



Control



Record



Analyze



Optimize

## RISHABH INSTRUMENTS LIMITED

Domestic (India): +91 253 2202099 | [marketing@rishabh.co.in](mailto:marketing@rishabh.co.in)  
International: +91 253 2202004/06/08/99 | [global@rishabh.co.in](mailto:global@rishabh.co.in)  
[www.rishabh.co.in](http://www.rishabh.co.in)